



Dive into your next dimension

VOLT 600W

ATX POWER SUPPLY 80+ WHITE EDITION

AC Input	100-240VAC, 50-60Hz, 5A				
DC Output	+3.3V	+5V	+12V	-12V	+5VSB
Max Output	18A	18A	50A	0.3A	3A
Max Combined Power	100W		600W	3.6W	15W
Total Power	600W				

VOLT 600W

User Manual



Find out more about us at
www.xyzpcgear.com

Installation

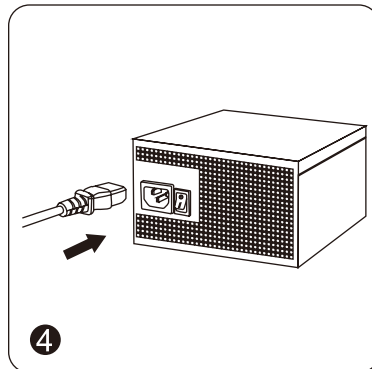
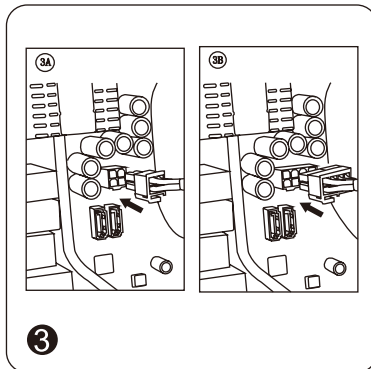
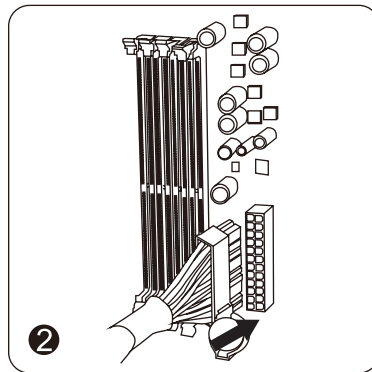
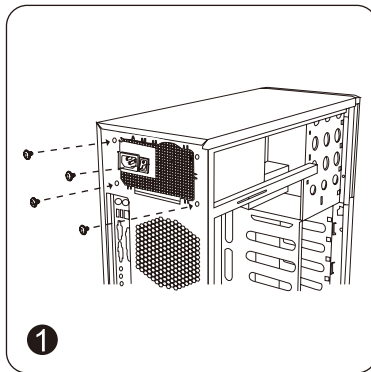
1. Install the power supply at the top or bottom of the case with the four screws.
2. Connect the 24-pin main power to the motherboard. If your motherboard uses a 20-pin connector, detach the 4-pin from 24-pin connector.

Note: the detachable 4-pin section cannot be used in place of the connector 12 V 4-pin.

3. Connect the 4 +4 pin or 8 pin connector to the CPU. If your motherboard has an 8-pin socket with the openings partially covered, it is advised to remove the covers and use the 8-pin connector.

Note: For any special instructions, refer to the manual for the motherboard.

4. Connect the power cord to AC input. When all the connections are established, turn on the power ("i" position). Now you can turn on the computer.



Safety warning

This Quick Guide contains important information on safety and proper operations of our Power Supply. Read it carefully before using.

- Do not attempt to disassemble the Power Supply: risk of electric shock. The PSU contains internal parts, which are at a high voltage and are potentially dangerous, may cause injury or death by electric shock.
- Do not add/remove any components to prevent endangering personal user security. Do not expose the Power Supply to damp conditions, dusty or extreme temperature environment.
- Do not plug or unplug the power cord with wet hands.
- Unplugging the unit from the power source before attempting any cleaning.
- Do not obstruct ventilation holes.
- Do not insert objects or pour liquids into the ventilation holes.
- There are no internal parts in the Power Supply that can be repaired by the User. Any repair or maintenance work must be performed exclusively by qualified technical personnel
- Do not keep liquids, flammable gases or corrosive substances near the PSU.

Our Power Supply itself is designed with over voltage, over load, short circuit and over current protection to prevent its own components from damage. Main power shall latch into shutdown within 50ms when overload or short circuit applied.



Technical characteristics may be modified by the manufacturer without preliminary notice. The device should only be used according to its intended purpose. The manufacturer is not responsible for any failure, damage, or malfunction of the device after improper use. Established warranty period for the product is 12 months.



If a malfunction is found, fully disconnect the device and contact the vendor or manufacturer's technical service.



Environmental Protection

Waste electrical products should not be disposed of with household waste. Please recycle where facilities exist. Check with your Local Authority or retailer for recycling advice.