

# 120\*120MM



Dive into your next dimension

## THERMAX 6 PULSAR User Manual

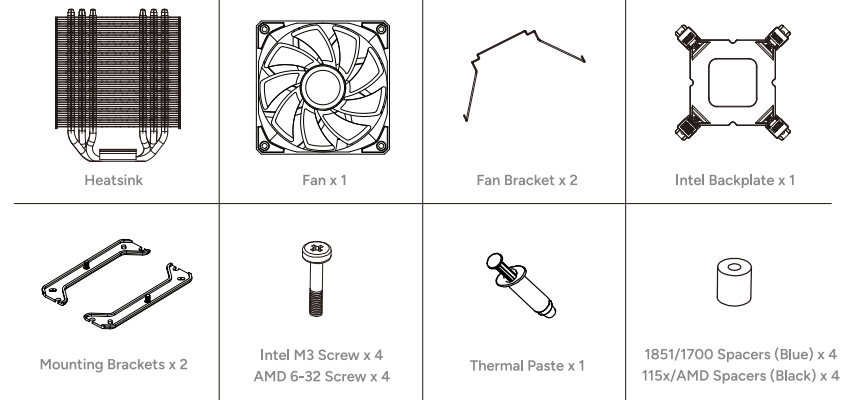
Find out more about us at  
[www.xyzpcgear.com](http://www.xyzpcgear.com)



Shenzhen XYZCASE technology CO.LTD

7 floor, Building 2, Tianjian Chuangzhi Tiandi, Huilongpu Community, Longcheng Street, Longgang District, Shenzhen

### PACKAGE CONTENTS



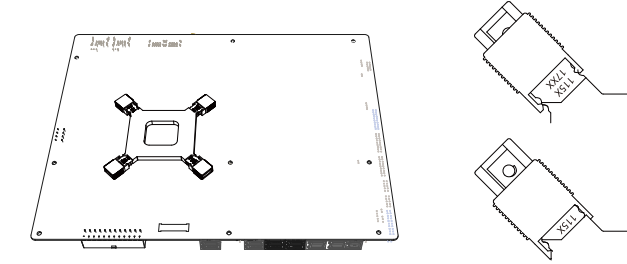
### IMPORTANT!

- 1- THE SCREEN REQUIRES SPECIAL SOFTWARE TO WORKS.
- 2- IMPORTANT! SHOULD INSTALL THE SOFTWARE YOU WILL FIND IN THE DOWNLOAD PAGE FOR THE SCREEN WORKS.
- 3- PLEASE SCAN THIS QR, SEARCH FOR YOUR PRODUCT AND DOWNLOAD THE SOFTWARE.

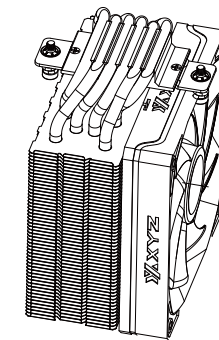


### intel Intel Installation Guide

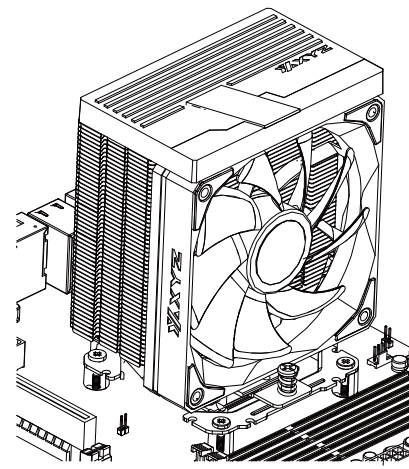
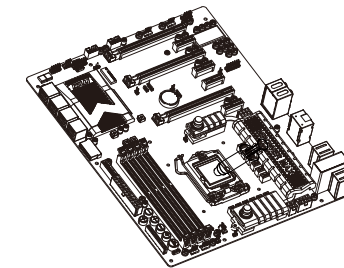
Step 1  
Adjust the backplane to the CPU slot and place it on the rear of the mainboard. Ensure that the holes in the backplane align with the slot. The 1851 slot uses the same gear as the 1700.



Step 2  
Peel off the bottom protective film.

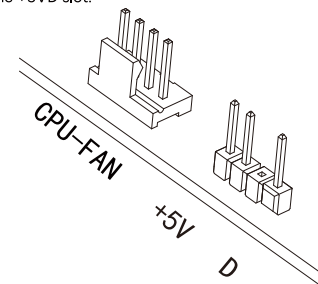


Step 3  
Apply a small amount of thermal paste to the CPU center. You can choose to apply evenly or distribute the pressure by installing the radiator itself.

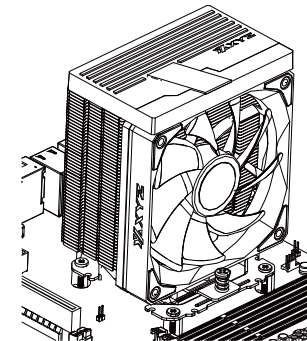


- Step 4  
Please refer to the figure on the left
1. Place the support of the corresponding platform on the backplane.
  2. Align the buckle with the support (note: the thread post in the middle of the buckle faces upward).
  3. Tighten the screws until the four corners are firmly fixed.
  4. Align the radiator with the thread post on the support.
  5. Tighten the screws on the mounting bracket, and switch to the other side a few turns each time to ensure even force.

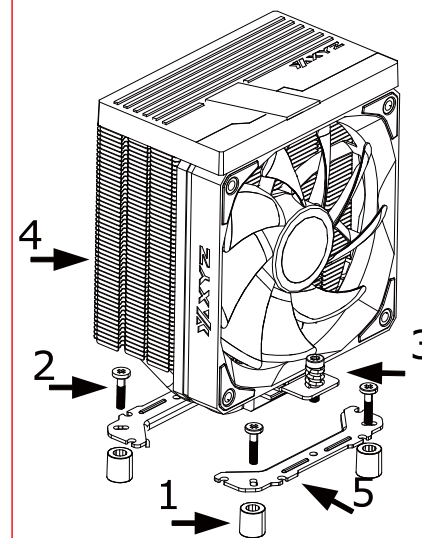
Step 5  
Plug the radiator fan PWM connector into the CPUFAN slot on the motherboard and the ARGB connector into the +5V D slot.



Make sure all screws are tight, the fan is securely connected, and your radiator is now installed!

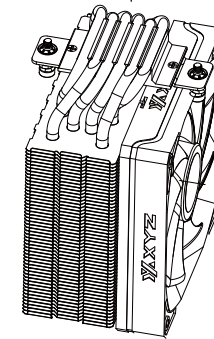


### AMD AMD Installation Guide

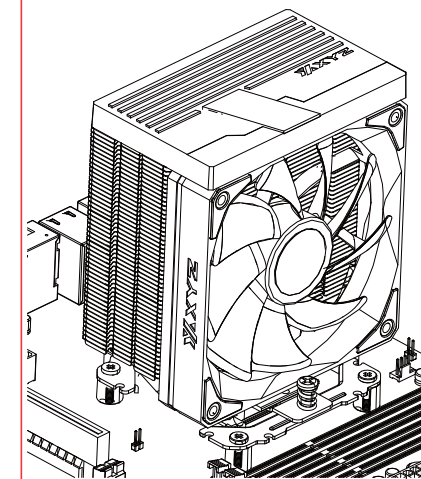
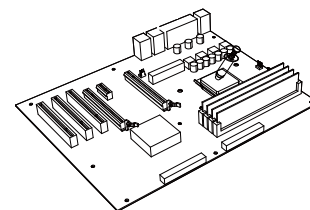


1. AMD pillar (black)
2. AMD screw
3. Nut
4. Heat sink
5. AMD buckle

Step 1  
Peel off the bottom protective film.



Step 2  
Apply a small amount of thermal paste to the center of the CPU. You can choose to apply evenly or distribute the pressure by installing the radiator itself.



- Step 3  
Remove the plastic buckle that comes with the motherboard and keep the original base on the back of the motherboard.
1. Place the black pillar of the AMD platform on the backplane.
  2. Align the buckle with the pillar (note: the thread post in the middle of the buckle faces up).
  3. Tighten the screws until all four corners are firmly fixed.
  4. Align the radiator with the threaded posts on the bracket.
  5. Tighten the screws on the mounting bracket a few turns at a time and switch to the other side to ensure even force.

AMD pillar with "AMD" on the bottom Original. AMD base comes with pre-installed fixed studs.

Step 4  
Plug the radiator fan PWM connector into the CPUFAN slot on the motherboard and the ARGB connector into the +5V D slot.

