

# 120\*120MM



Dive into your next dimension

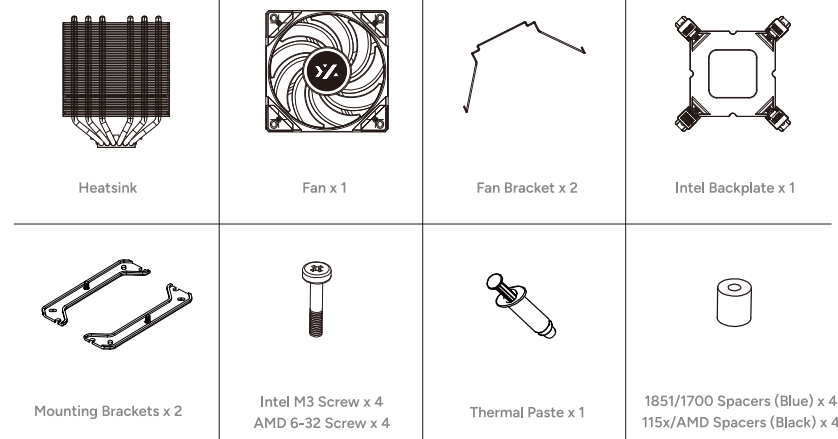
## THERMAX 6 PRO DUO User Manual

Find out more about us at  
[www.xyzpcgear.com](http://www.xyzpcgear.com)



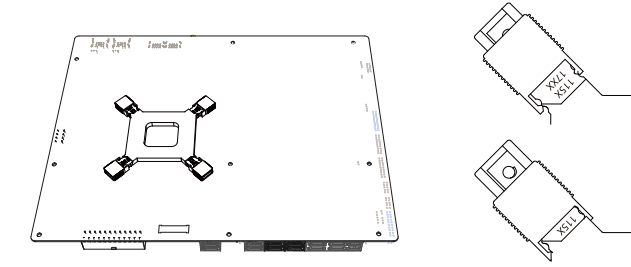
Shenzhen XYZCASE technology CO.LTD  
7 floor, Building 2, Tianjian Chuangzhi Tiandi, Huilongpu Community, Longcheng Street, Longgang District, Shenzhen

### PACKAGE CONTENTS

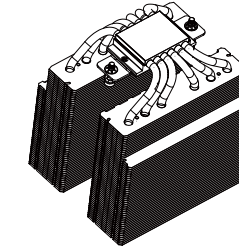


### intel. Intel Installation Guide

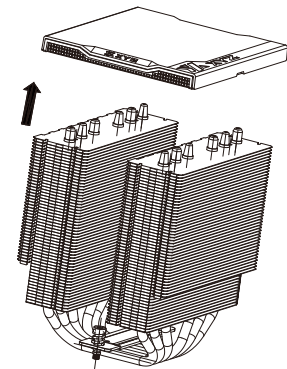
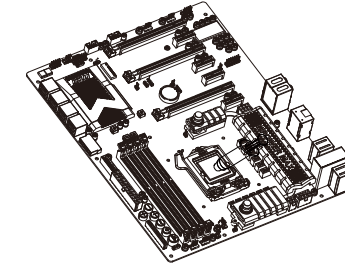
Step 1  
Adjust the backplane to the CPU slot and place it on the rear of the motherboard. Ensure that the holes in the backplane are aligned with the slot. The 1851 slot uses the same gear as the 1700.



Step 2  
Remove the bottom protective film.

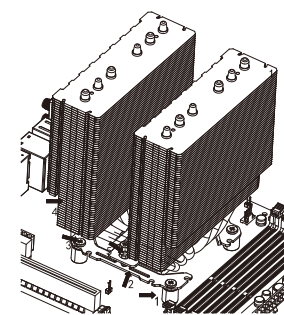


Step 3  
Apply a small amount of thermal paste to the center of the CPU. You can choose to apply evenly or distribute the pressure by installing the radiator itself.

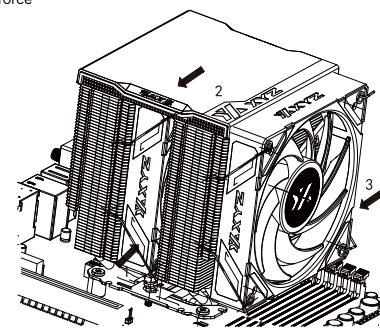


Step 4  
Remove the top cover from the radiator.

Step 5: Please refer to the figure on the left  
1, place the support of the corresponding platform on the backplan  
2, align the buckle with the support  
(note: the thread post in the middle of the buckle faces upward)  
3, tighten the screws until all four corners are firmly fixed  
4, align the radiator with the thread post 5 on the support.  
5. Tighten the screws on the mounting bracket,  
and switch to the other side a few turns each time to ensure even force

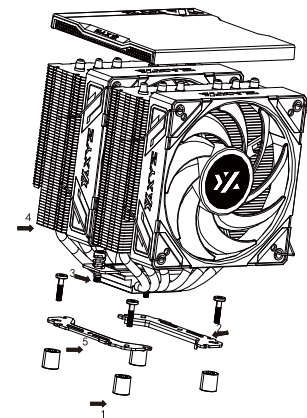


Step 6: Please refer to the figure below  
1. Place the fan in the middle of the heat sink and secure the fan using cable ties  
2. Fasten the top cover  
3. Lock the fan outside the heat sink with cable ties

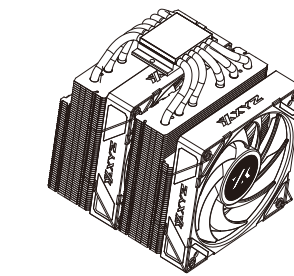


### AMD AMD Installation Guide

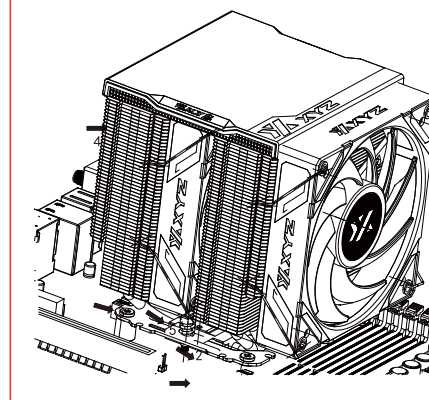
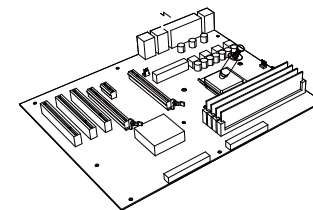
Step 1  
Remove the bottom protective film.



1. AMD pillar (black)
2. AMD screw
3. Nut
4. Heat sink
5. AMD buckle

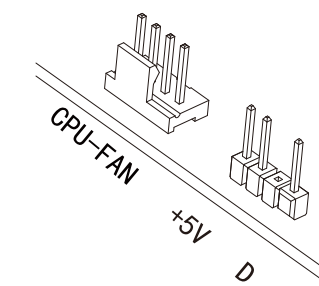


Step 2  
Apply a small amount of thermal paste to the center of the CPU. You can choose to apply evenly or distribute the pressure by installing the radiator itself.



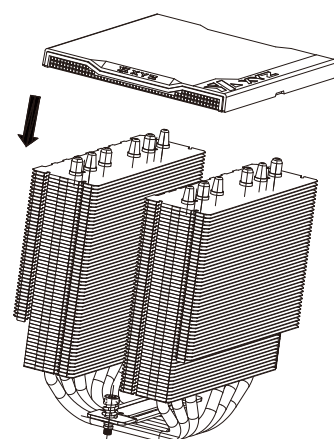
Step 3  
Remove the plastic buckle that comes with the motherboard and keep the original base on the back of the motherboard.  
1. Place the black pillar of the AMD platform on the backplane.  
2. Align the buckle with the pillar (note: the threaded post in the middle of the buckle faces up).  
3. Tighten the screws until all four corners are firmly fixed.  
4. Align the heat sink with the threaded post on the bracket.  
5. Tighten the screws on the mounting bracket, and switch to the other side a few turns at a time to ensure even force.

AMD pillar with "AMD" printed on the bottom Original AMD base comes with pre-installed fixed studs.

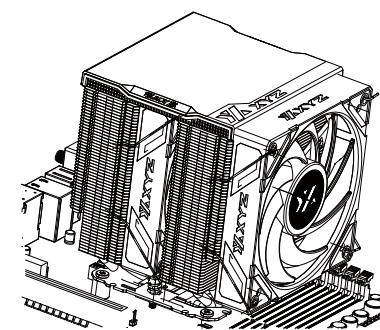


Step 4  
Insert the PWM connector of the radiator fan into the CPU-FAN slot on the motherboard and the ARGB connector into the +5V D slot.

Step 7  
Fasten the top cover as shown in the picture below



Make sure all screws are tight, the fan is securely connected, and your radiator is now installed!



### LAST STEP

## IMPORTANT!

- 1- THE SCREEN REQUIRES SPECIAL SOFTWARE TO WORKS.
- 2- IMPORTANT! SHOULD INSTALL THE SOFTWARE YOU WILL FIND IN THE DOWNLOAD PAGE FOR THE SCREEN WORKS.
- 3- PLEASE SCAN THIS QR, SEARCH FOR YOUR PRODUCT AND DOWNLOAD THE SOFTWARE.

