

120*120MM



Dive into your next dimension

THERMAX 6 DUO User Manual

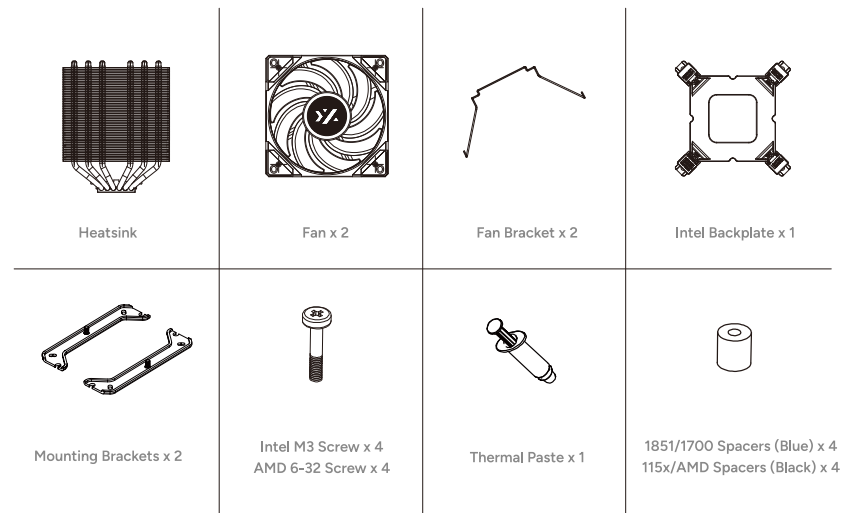
Find out more about us at
www.xyzpcgear.com



Shenzhen XYZCASE technology CO.LTD

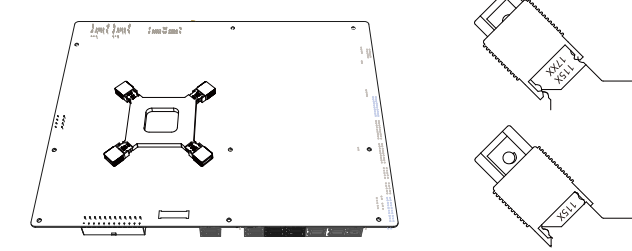
7 floor, Building 2, Tianjian Chuangzhi Tiandi, Huilongpu Community, Longcheng Street, Longgang District, Shenzhen

PACKAGE CONTENTS

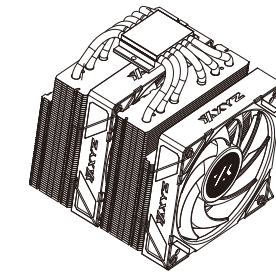


intel Intel Installation Guide

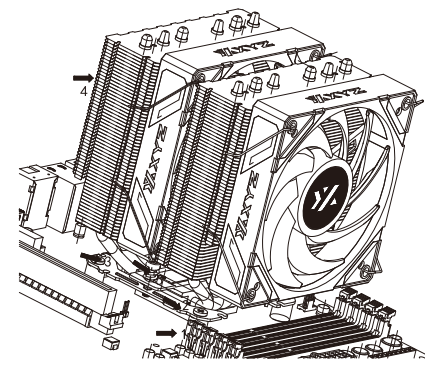
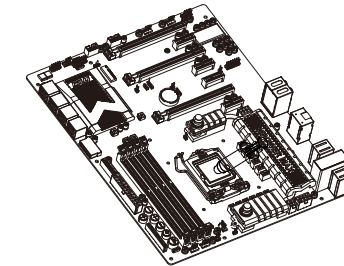
Step 1
Adjust the backplane to the CPU slot and place it on the rear of the mainboard. Ensure that the holes in the backplane are aligned with the slot. The 1851 slot uses the same gear as the 1700.



Step 2
Remove the bottom protective film.

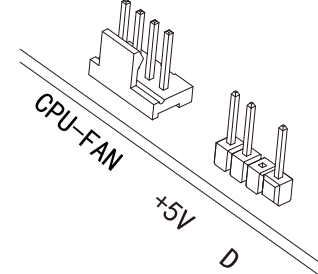


Step 3
Apply a small amount of thermal paste to the center of the CPU. You can choose to apply evenly or distribute the pressure by installing the radiator itself.

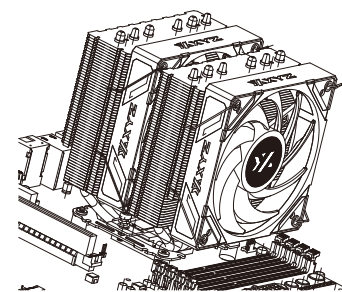


Step 4
Please refer to the diagram on the left
1. Place the corresponding platform struts on the backplane.
2. Align the buckle with the prop (note: the threaded post in the middle of the buckle faces up).
3. Tighten the screws until all four corners are firmly fixed.
4. Align the radiator with the threaded post on the bracket.
5. Tighten the screws on the mounting bracket, and switch to the other side a few turns each time to ensure even force.

Step 5
Plug the radiator fan PWM connector into the CPUFAN slot on the motherboard and the ARGB connector into the +5V D slot.

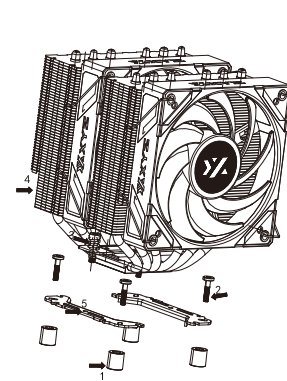


Make sure all screws are tight, the fan is securely connected, and your radiator is now installed!



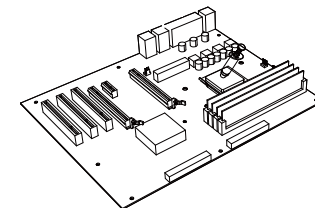
AMD AMD Installation Guide

Step 1
Remove the bottom protective film.



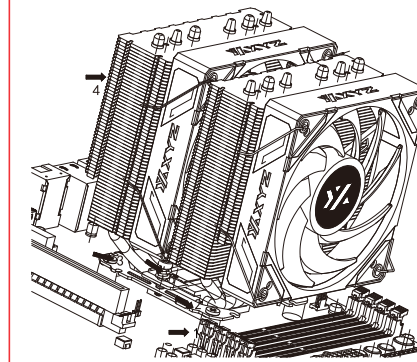
1. AMD pillar (black)
2. AMD screw
3. Nut
4. Heat sink
5. AMD buckle

Step 2
Apply a small amount of thermal paste to the center of the CPU. You can choose to apply evenly or distribute the pressure by installing the radiator itself.



Step 3
Remove the plastic buckle that comes with the motherboard and keep the original base on the back of the motherboard.
1. Place the black pillar of the AMD platform on the backplane.
2. Align the buckle with the pillar (note: the threaded post in the middle of the buckle faces up).
3. Tighten the screws until all four corners are firmly fixed.
4. Align the heat sink with the threaded post on the bracket.
5. Tighten the screws on the mounting bracket, and switch to the other side a few turns at a time to ensure even force.

AMD pillar with "AMD" printed on the bottom Original AMD base comes with pre-installed fixed studs.



Step 4
Insert the PWM connector of the radiator fan into the CPU-FAN slot on the motherboard and the ARGB connector into the +5V D slot.

