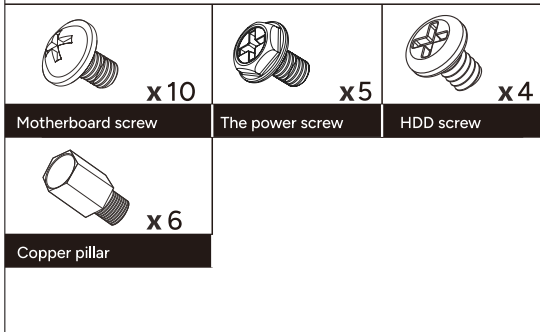


XYZ

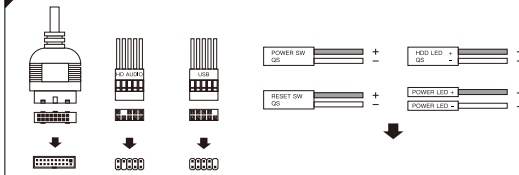
Dive into your next dimension

TITANIUM TITANIUM VIEW LITE Instructions manual

A Package details

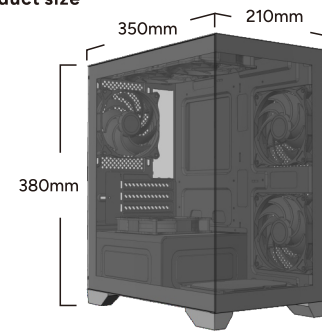


B Schematic diagram of wire interface

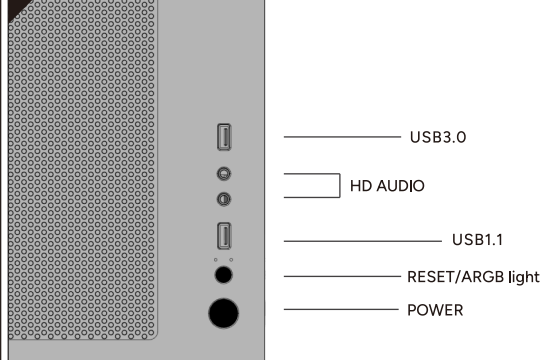


Please refer to the manual that came with your motherboard for any specific connection instructions

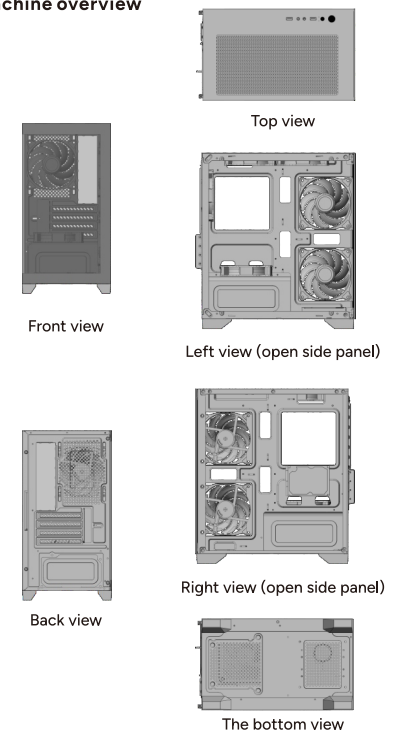
C Product size



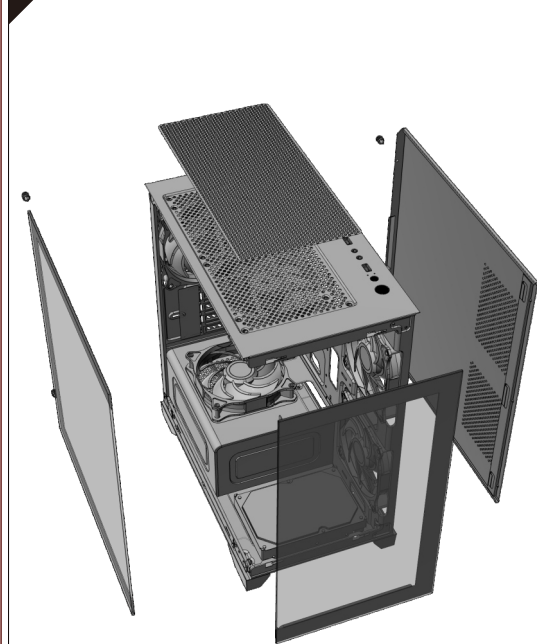
D IO panel introduction



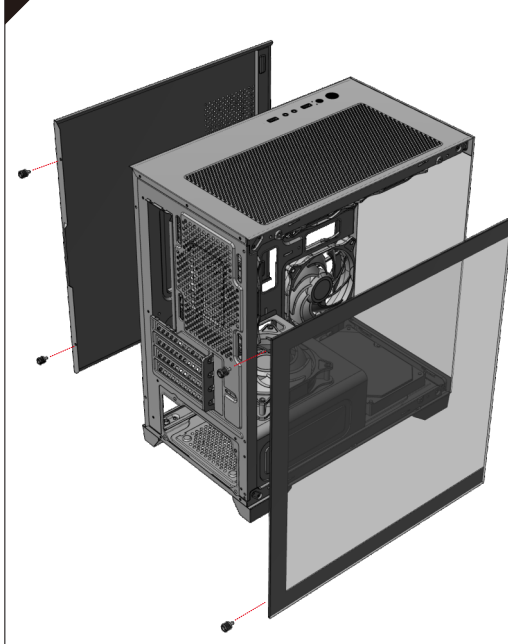
E Machine overview



F Chassis disassembly diagram

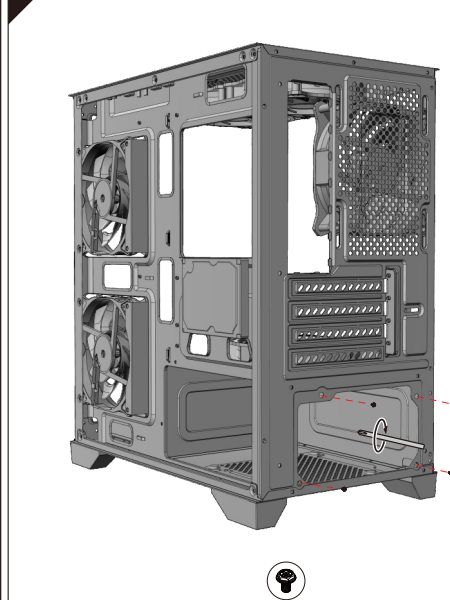


G Remove and install side panels



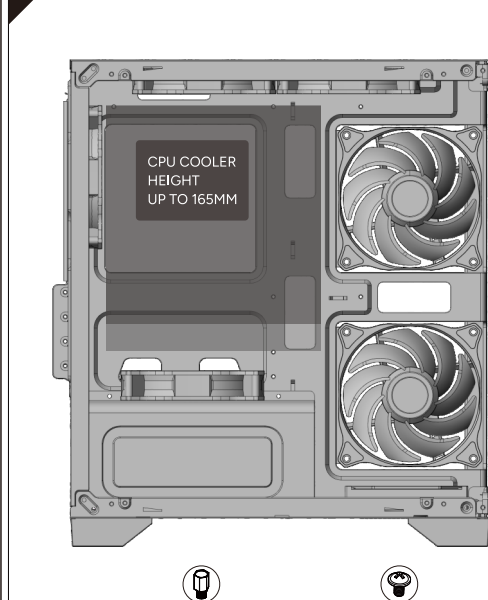
Remove the glass side panel: Slide the glass side panel backward.
Remove the iron side plate: remove the two screws at the rear.

H The power supply installation



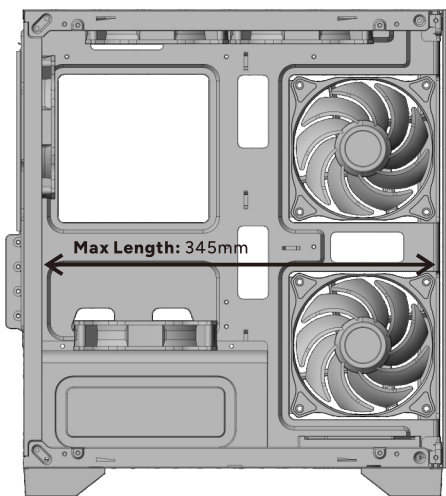
The power supply can be fixed by aligning the screw in the figure to the hole position
Note: different types of power supply, hole location may be slightly different, take the actual object as the standard

I Motherboard installation

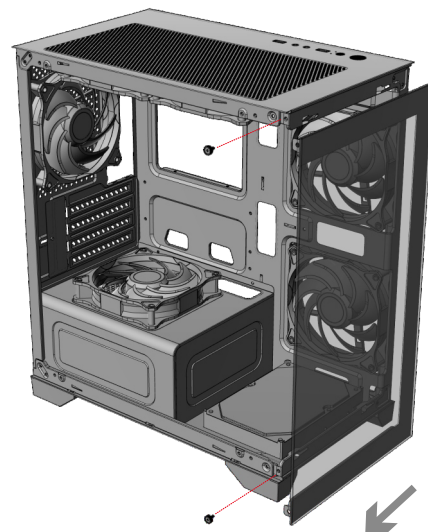


According to the motherboard type (M-ATX/ITX), the copper pillars may need to be re-arranged manually according to the fixing locations specific to your motherboard
CPU Height limit: 165mm

J The graphics card installation

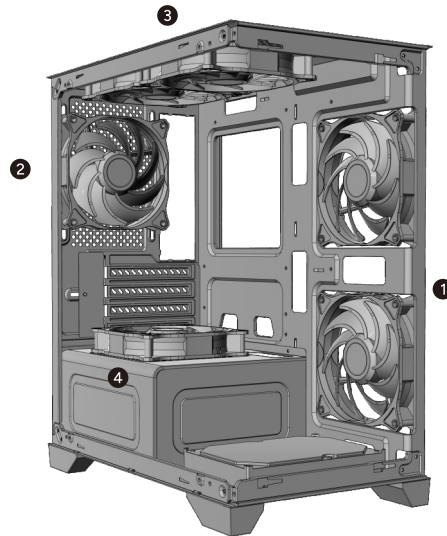


K Panel disassembly



Remove the top glass panel, unscrew the inner screws, and lift the front panel up.

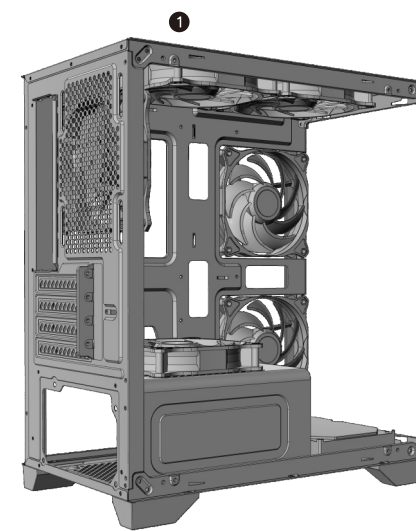
L Fan installation



Fan compatibility

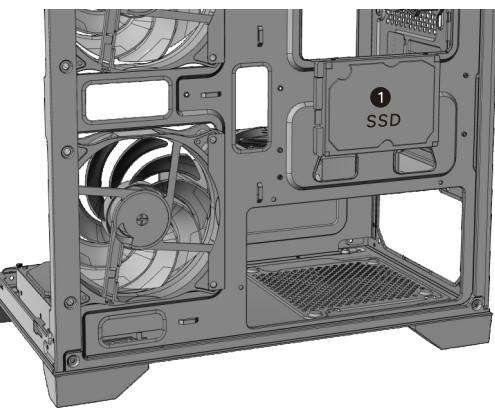
- ① MB tray: 2 x 120mm
- ② Rear: 1 x 120mm
- ③ Top: 2 x 120 / 140mm
- ④ Bottom: 1 x 120mm

M Water cooling installation



Radiator Support ① Top: 240mm

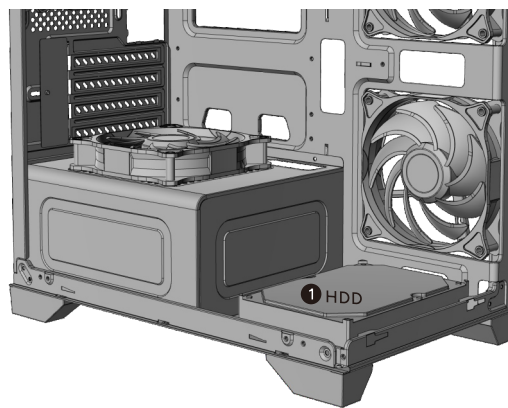
N SSD installation



1*SSD

Align the screw holes of the hard disk with the hard diskbracket and fix it with SSDscrews.

O HDD installation

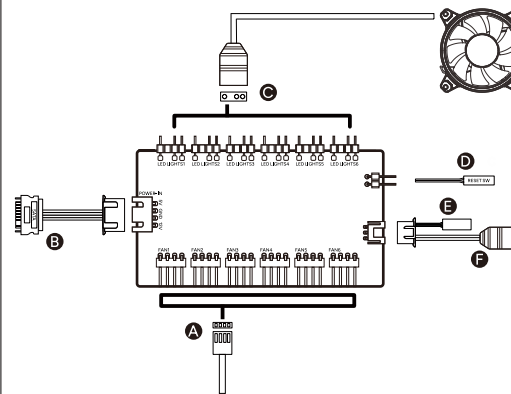


1*HDD

① one HDD or one Fan

Align the screw holes of the hard disk with the hard diskbracket and fix it with HDDscrews.

O PWM function + ARGB controller user instruction



- Ⓐ Connected with 3 pcs small PWM 4PIN.
 - Ⓑ SATA power connector (PSU).
 - Ⓒ Interface for 5V3PIN LED wire, support 6pcs FANs.
 - Ⓓ Can switch to the computer reset button.
 - Ⓔ PWM speed adjusting line.
 - Ⓕ Universal link to motherboard 5V 3pin connector.
- To use this feature, hold down the reset key for 5 seconds.

XYZ



Find out more about us at www.xyzpcgear.com