








Dive into your next dimension

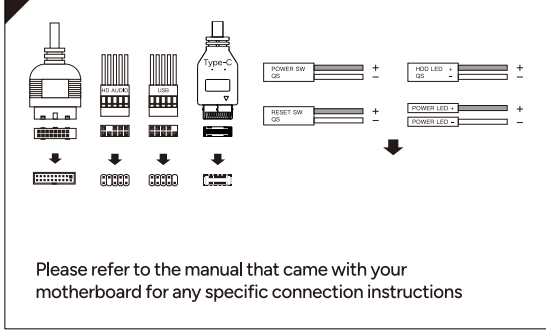
TITANIUM

TITANIUM VIEW
Instructions manual

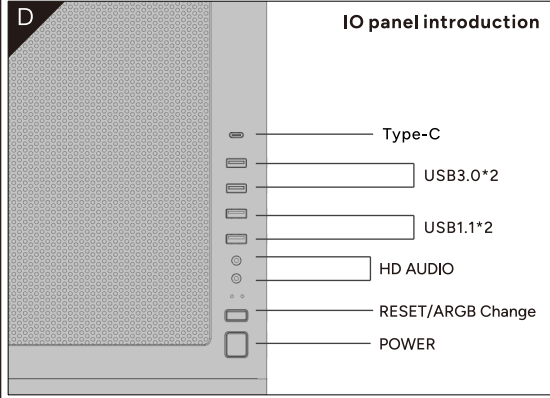
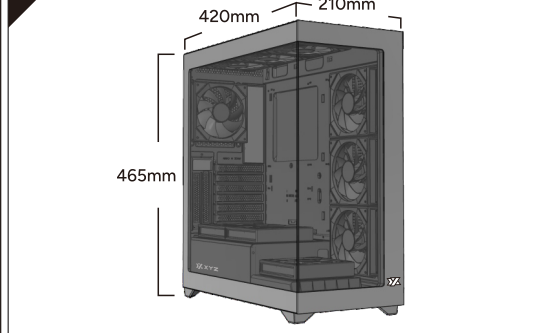
A Package details

 x17	 x6	 x8
 x3	 x5	
Motherboard screw	The power screw	HDD screw
Copper pillar	Cable Tie	

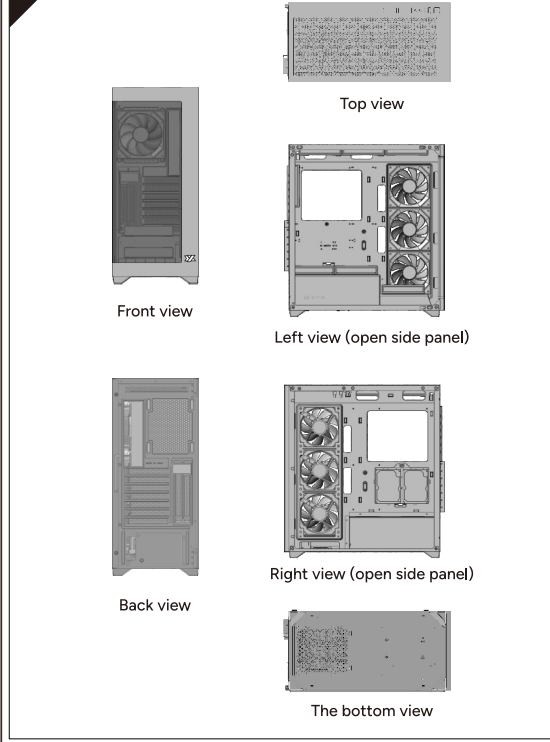
B Schematic diagram of wire interface



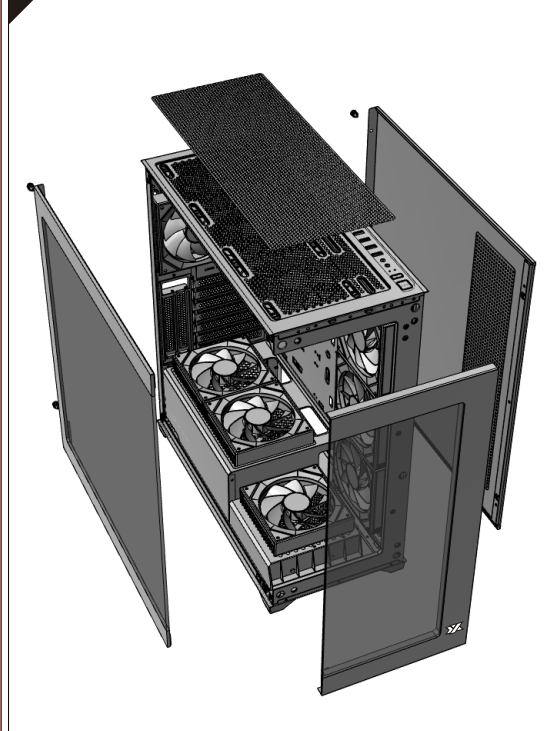
C Product size



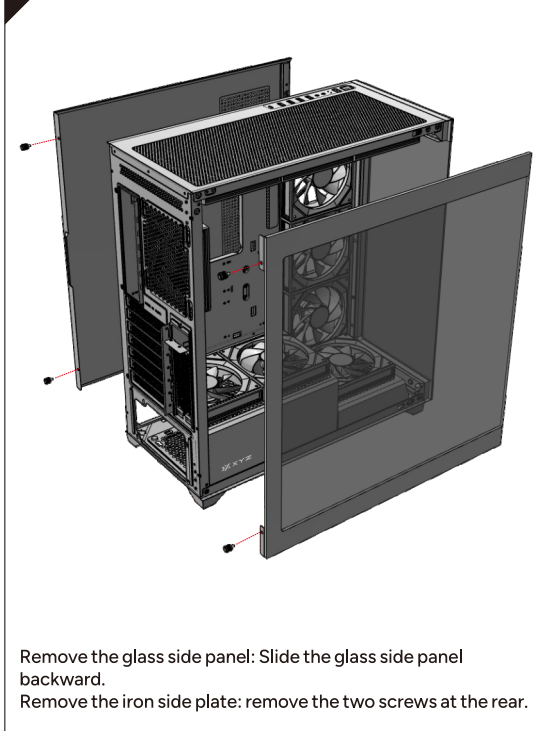
E Machine overview



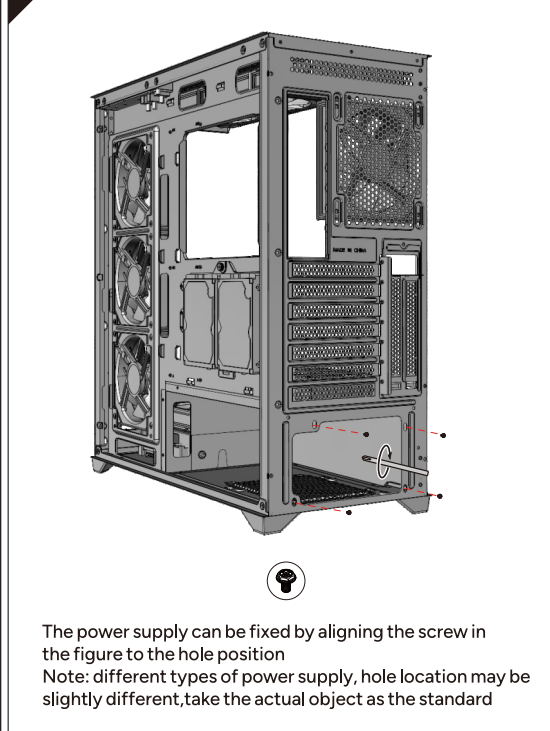
F Chassis disassembly diagram



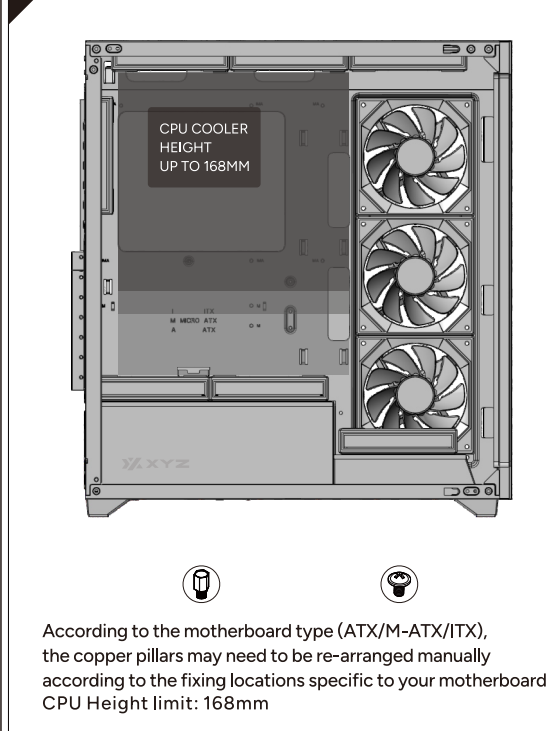
G Remove and install side panels



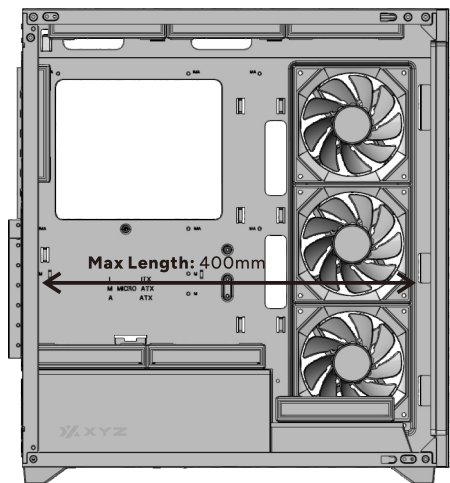
H The power supply installation



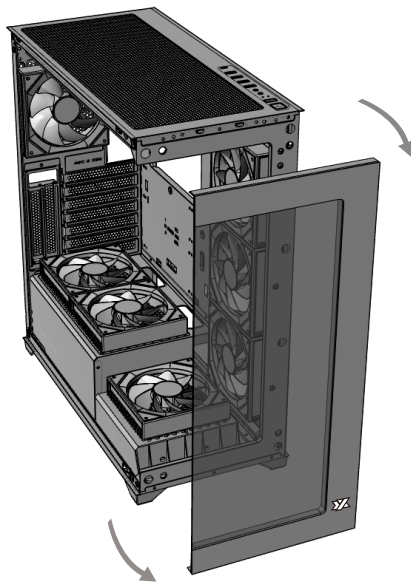
I Motherboard installation



J The graphics card installation

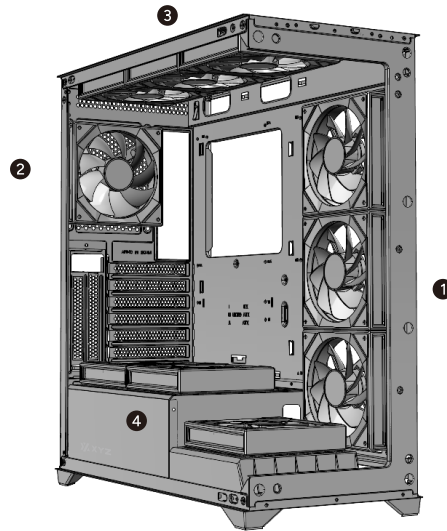


K Panel disassembly



Open the left panel first, then grab both sides of the panel and pull it out.

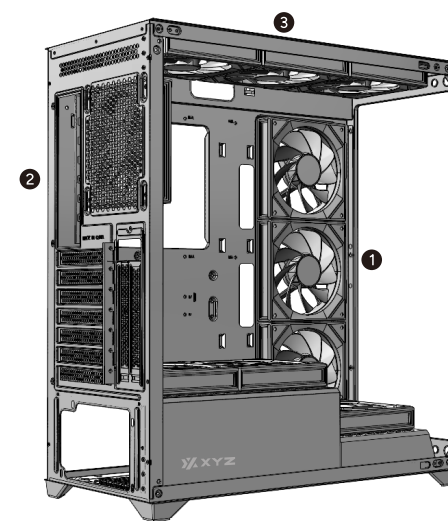
L Fan installation



Fan compatibility

- ① MB tray: 3 x 120mm
- ② Rear: 1 x 120mm
- ③ Top: 3 x 120mm
- ④ Bottom: 3 x 120mm(one HDD)

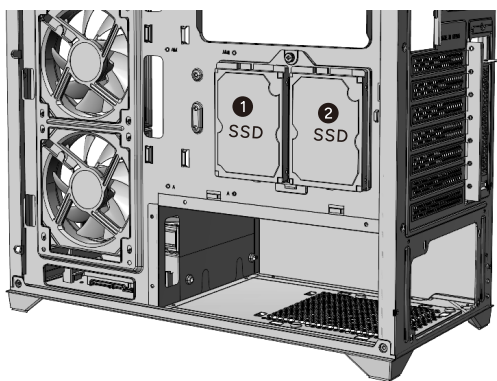
M Water cooling installation



Radiator Support

- ① MB tray: 360mm
- ② Rear: 120mm
- ③ Top: 360mm

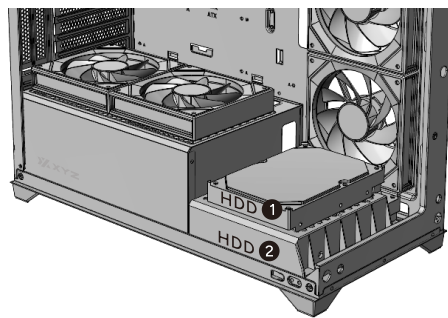
N SSD installation



2*SSD

Align the screw holes of the hard disk with the hard diskbracket and fix it with SSDscrews.

O HDD installation

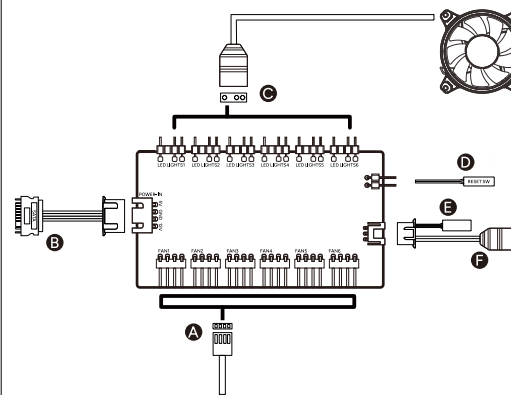


2*HDD

① one HDD or one Fan

Align the screw holes of the hard disk with the hard diskbracket and fix it with HDDscrews.

P PWM function + ARGB controller user instruction



- Ⓐ Connected with 3 pcs small PWM 4PIN.
 - Ⓑ SATA power connector (PSU).
 - Ⓒ Interface for 5V3PIN LED wire, support 6pcs FANs.
 - Ⓓ Can switch to the computer reset button.
 - Ⓔ PWM speed adjusting line.
 - Ⓕ Universal link to motherboard 5V 3pin connector.
- To use this feature, hold down the reset key for 5 seconds.

XYZ



Find out more about us at www.xyzpcgear.com