








Dive into your next dimension

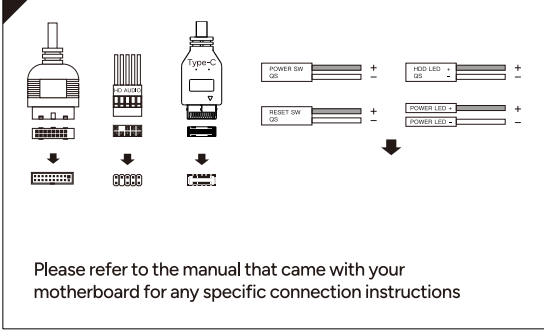
TESSERACT X

Instructions manual

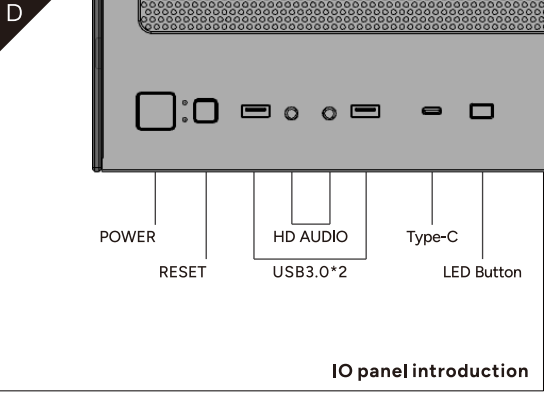
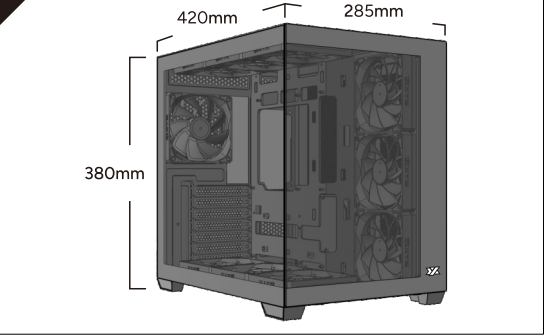
A Package details

 x10	 x5	 x4
 x3	 x5	
Motherboard screw	The power screw	HDD screw
Copper pillar	Cable Tie	

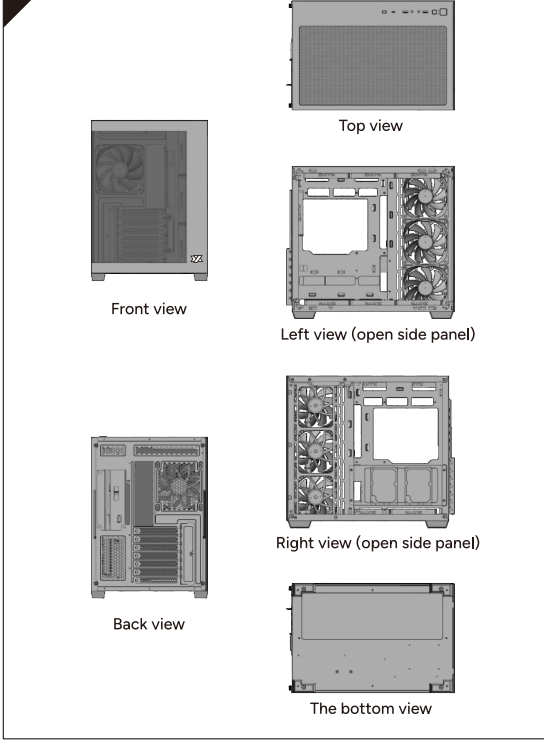
B Schematic diagram of wire interface



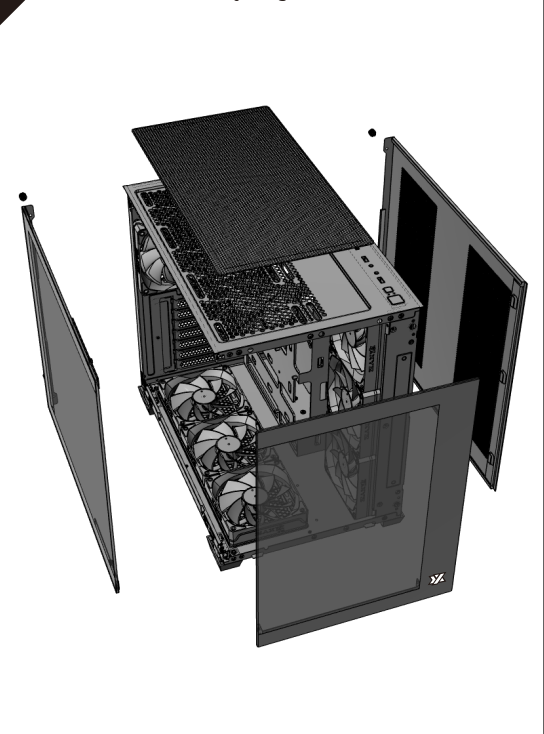
C Product size



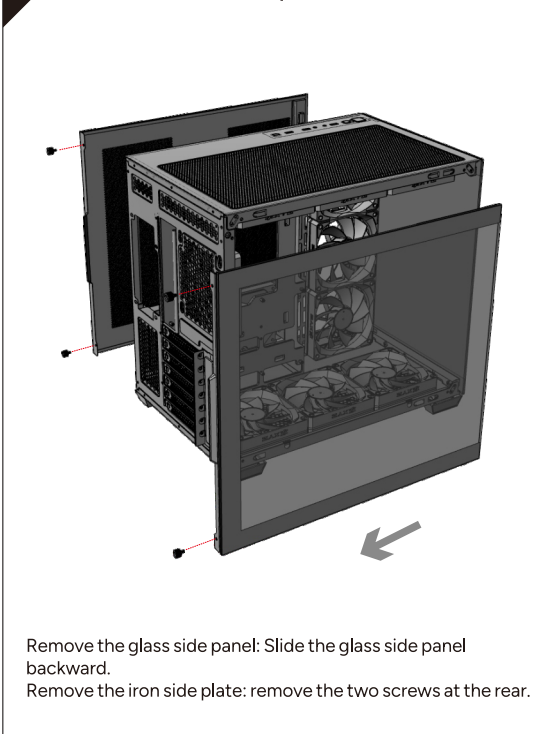
E Machine overview



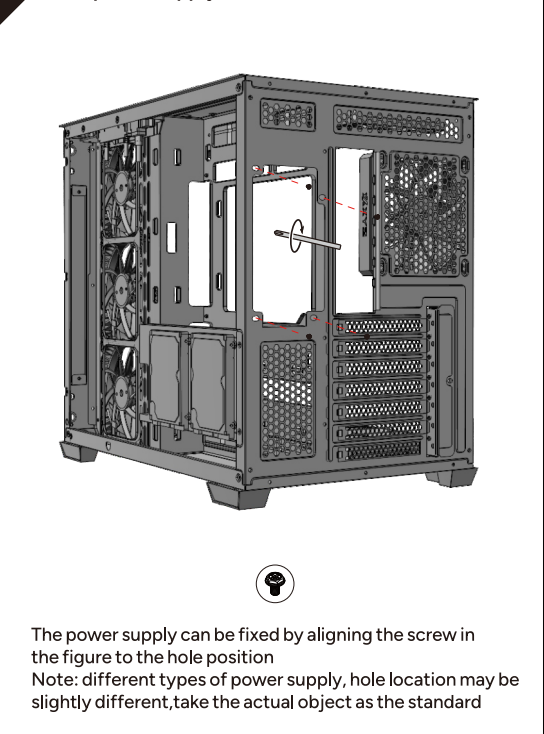
F Chassis disassembly diagram



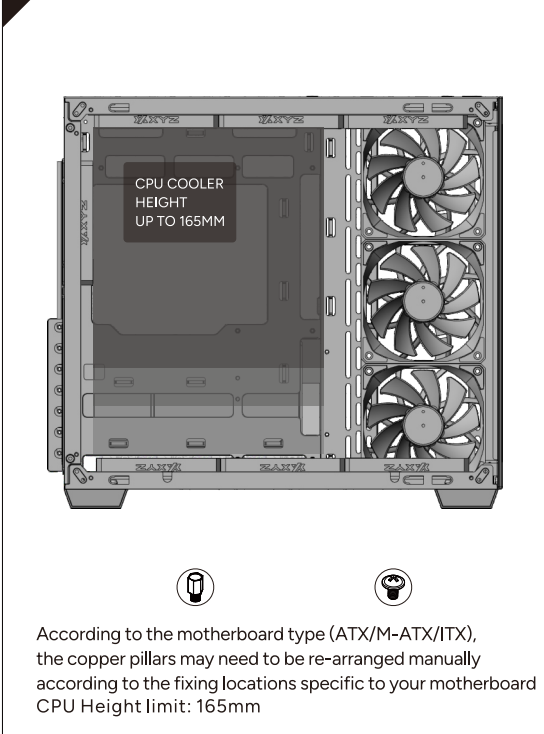
G Remove and install side panels



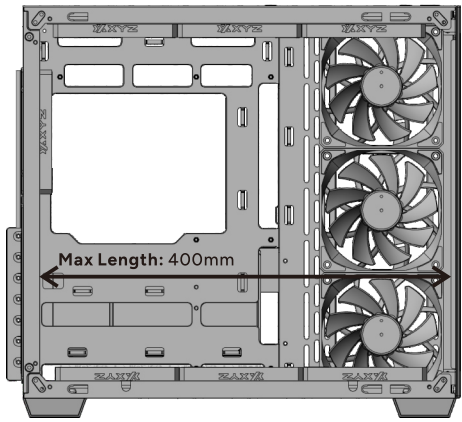
H The power supply installation



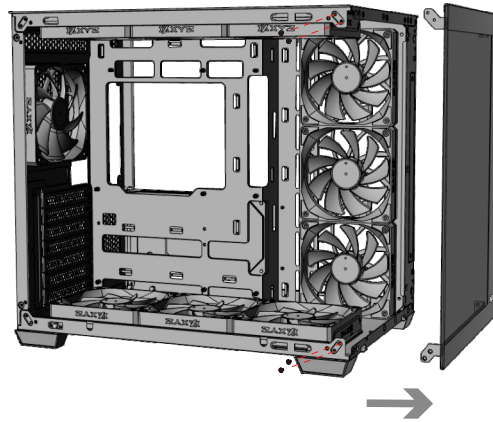
I Motherboard installation



J The graphics card installation

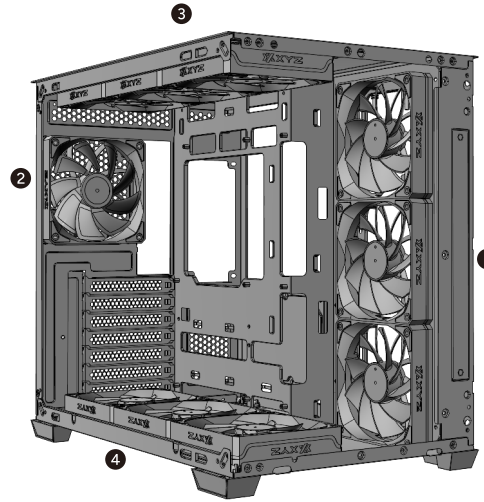


K Panel



Installation: Fit the panel to the front panel and fix it with screws from the inside of the chassis
 Removal: Unscrew the screws from the inside of the chassis and remove the panel

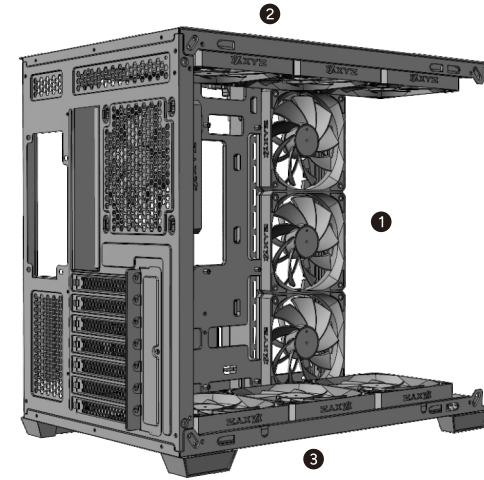
L Fan installation



Fan compatibility

- ① MB tray: 3 x 120/140mm
- ② Rear: 1 x 120mm
- ③ Top: 3 x 120/2 x 140mm
- ④ Bottom: 3 x 120mm

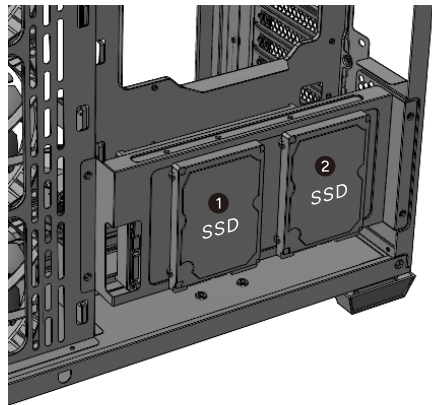
M Water cooling installation



Radiator Support

- ① MB tray: 120/240/280mm
- ② Top: 240/280/360mm
- ③ Bottom: 240/280/360mm

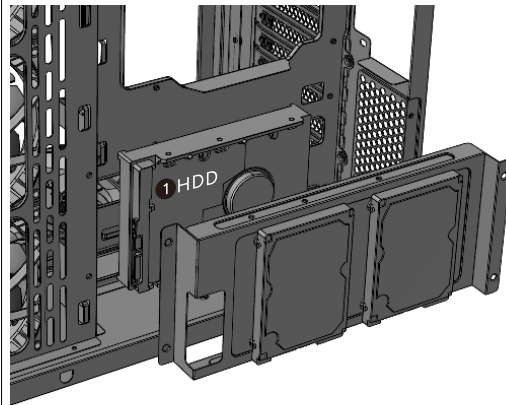
N SSD installation



2*SSD

Align the SSD holes and fix them with screws.

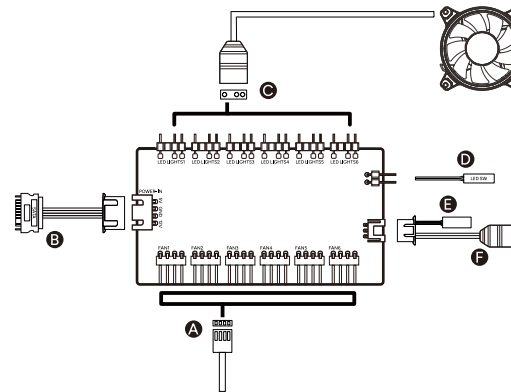
O HDD installation



1*HDD

Align the hard disk holes and fix them with HDD screws.

P PWM function + ARGB controller user instruction



- Ⓐ Connected with 3 pcs small PWM 4PIN.
 - Ⓑ SATA power connector (PSU).
 - Ⓒ Interface for 5V3PIN LED wire, support 6pcs FANS.
 - Ⓓ Can switch to the computer LED button.
 - Ⓔ PWM speed adjusting line.
 - Ⓕ Universal link to motherboard 5V 3pin connector.
- To use this feature, hold down the reset key for 5 seconds.

XYZ



Find out more about us at
www.xyzpcgear.com