






# XYZ

Dive into your next dimension

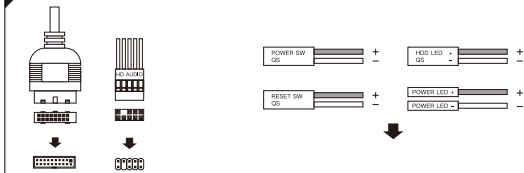
## TESSERACT

TESSERACT ARGB  
Instructions manual

### A Package details

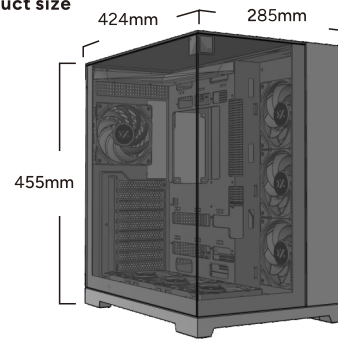
 x18	 x6	 x9
Motherboard screw	The power screw	HDD screw
 x3	 x5	
Copper pillar	Cable Tie	

### B Schematic diagram of wire interface

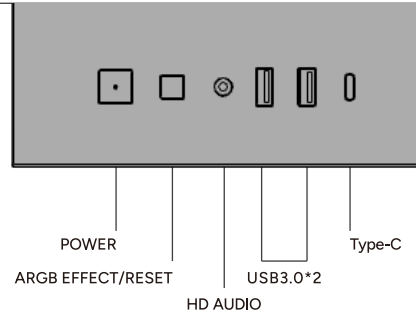


Please refer to the manual that came with your motherboard for any specific connection instructions

### C Product size

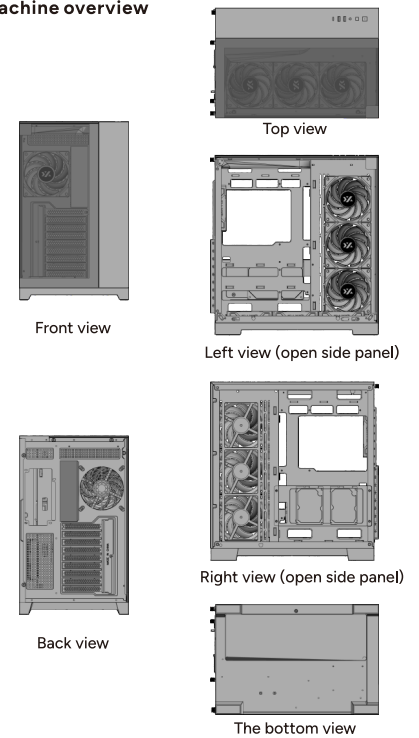


### D

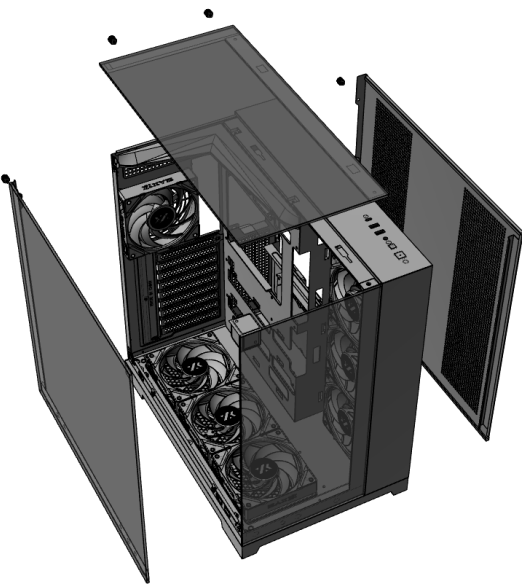


### IO panel introduction

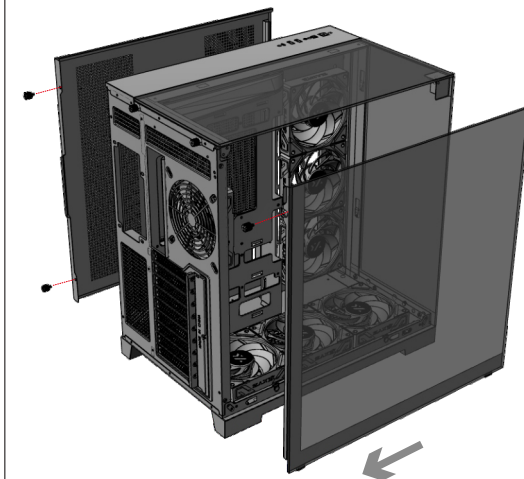
### E Machine overview



### F Chassis disassembly diagram

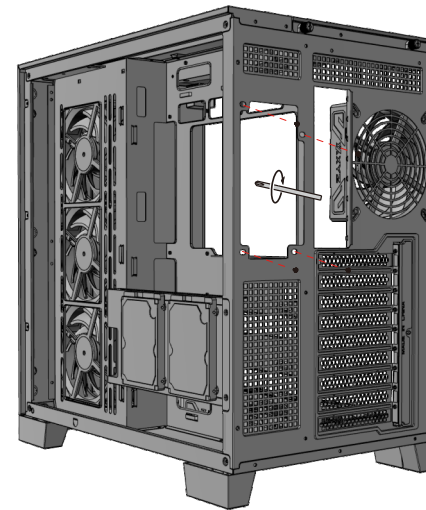


### G Remove and install side panels



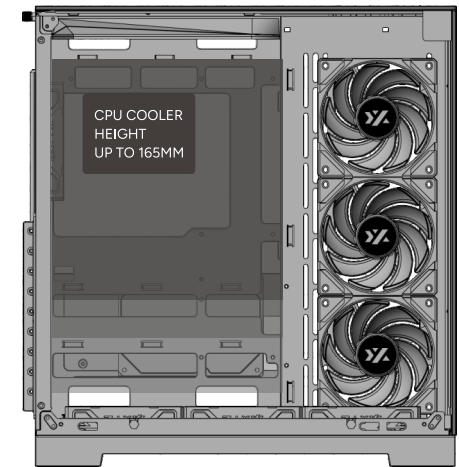
Remove the glass side panel: Slide the glass side panel backward.  
Remove the iron side plate: remove the two screws at the rear.

### H The power supply installation



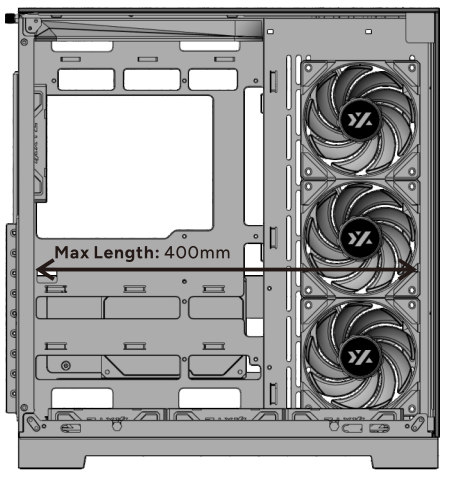
The power supply can be fixed by aligning the screw in the figure to the hole position  
Note: different types of power supply, hole location may be slightly different, take the actual object as the standard

### I Motherboard installation



According to the motherboard type (ATX/M-ATX/ITX), the copper pillars may need to be re-arranged manually according to the fixing locations specific to your motherboard  
CPU Height limit: 165mm

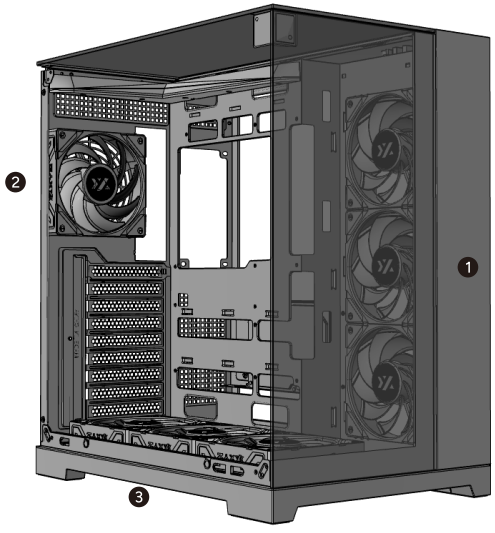
**J The graphics card installation**



**K Panel**



**L Fan installation**



**Fan compatibility**

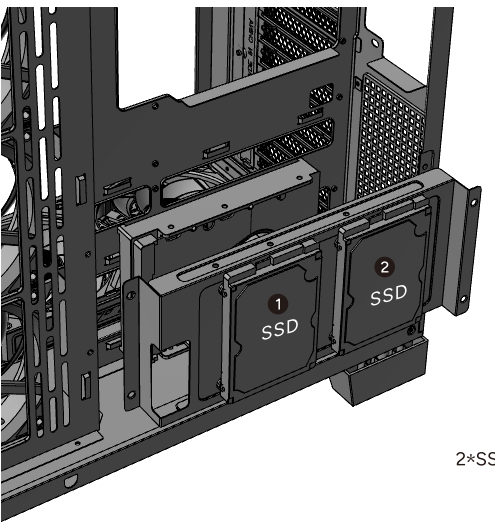
- ① MB tray: 3 x 120mm
- ② Rear: 1 x 120mm
- ③ Bottom: 3 x 120mm

**M Water cooling installation**



**Radiator Support** ① MB tray: 360mm

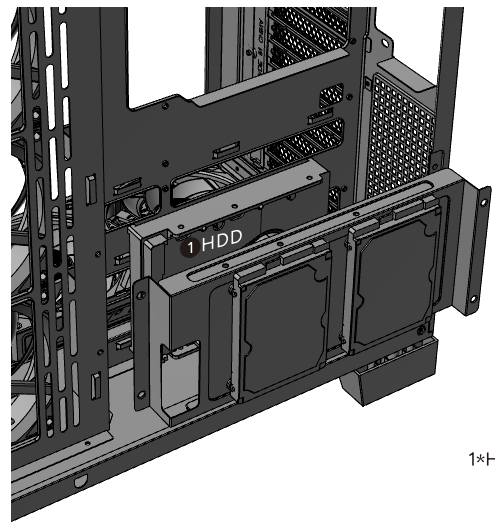
**N SSD installation**



2\*SSD

Align the SSD holes and fix them with screws.

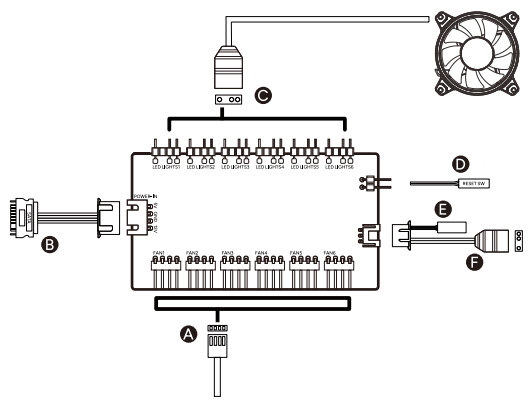
**O HDD installation**



1\*HDD

Align the hard disk holes and fix them with HDD screws.

**P PWM function + ARGB controller user instruction**



- Ⓐ Connected with 3 pcs small PWM 4PIN.
  - Ⓑ SATA power connector (PSU).
  - Ⓒ Interface for 5V3PIN LED wire, support 6pcs FANs.
  - Ⓓ Can switch to the computer reset button.
  - Ⓔ PWM speed adjusting line.
  - Ⓕ Universal link to motherboard 5V 3pin connector.
- To use this feature, hold down the reset key for 5 seconds.



Find out more about us at [www.xyzpcgear.com](http://www.xyzpcgear.com)