








Dive into your next dimension

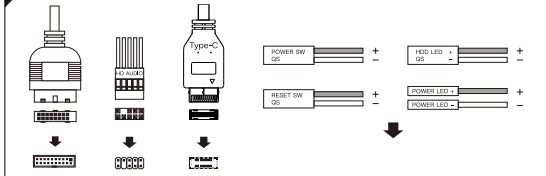
# QUBEX

Instructions manual

## A Package details

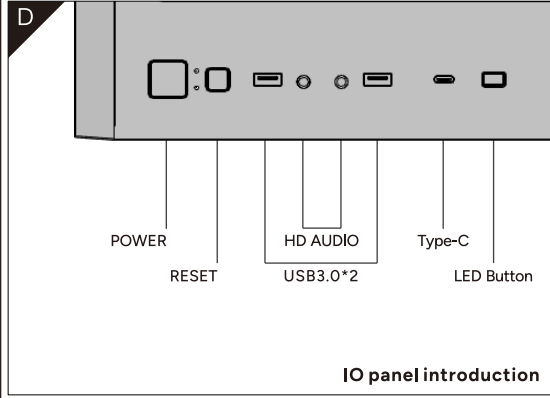
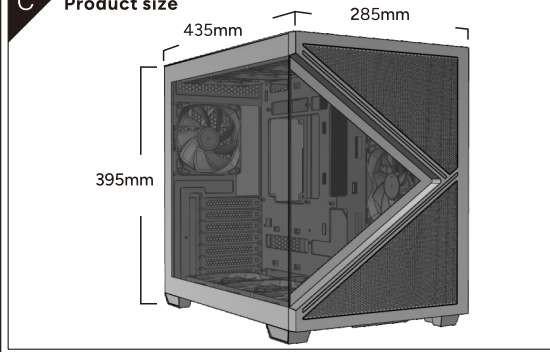
|  |  |  |
|--|--|--|
|  x10 |  x5  |  x4 |
|  x3 |  x5 |  |
| Motherboard screw  | The power screw  | HDD screw  |
| Copper pillar  | Cable Tie  |  |

## B Schematic diagram of wire interface

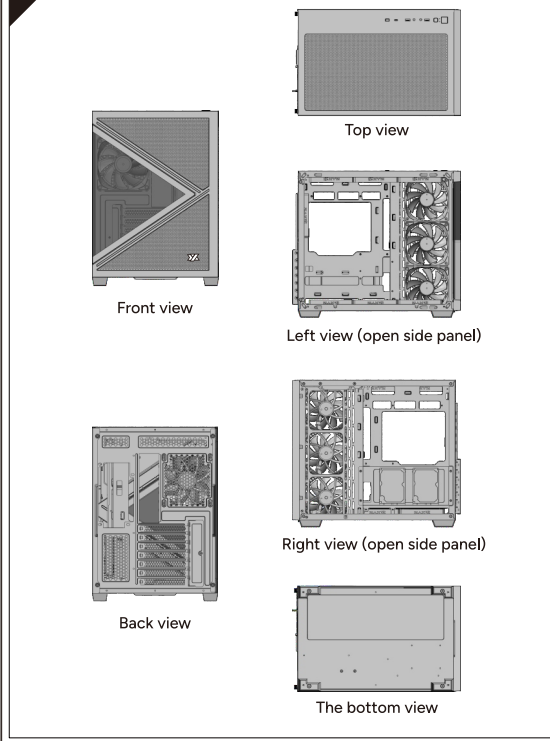


Please refer to the manual that came with your motherboard for any specific connection instructions

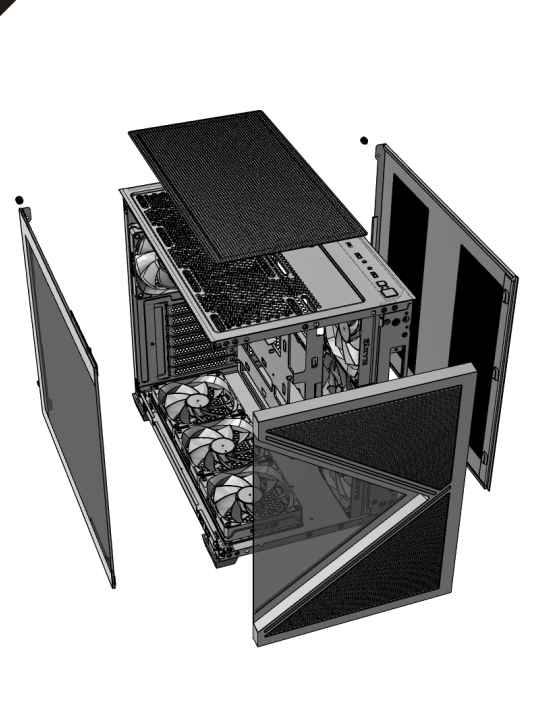
## C Product size



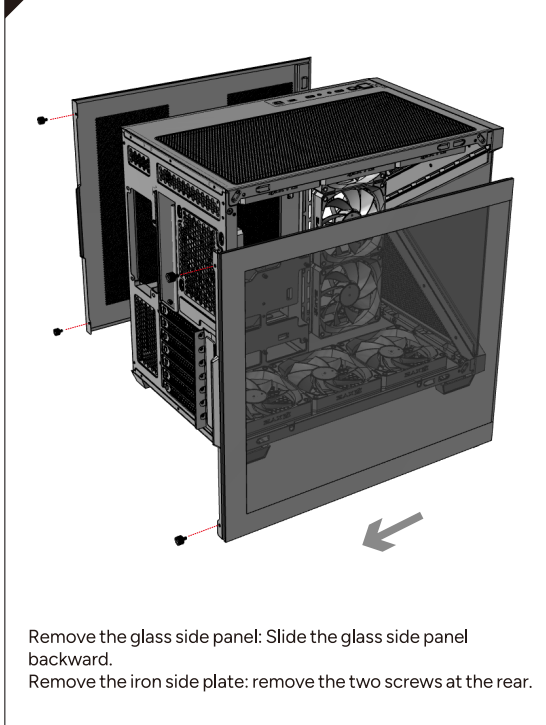
## E Machine overview



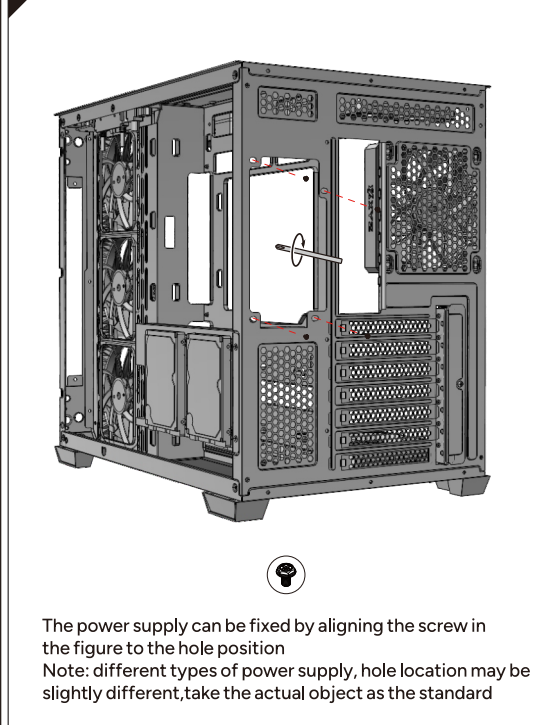
## F Chassis disassembly diagram



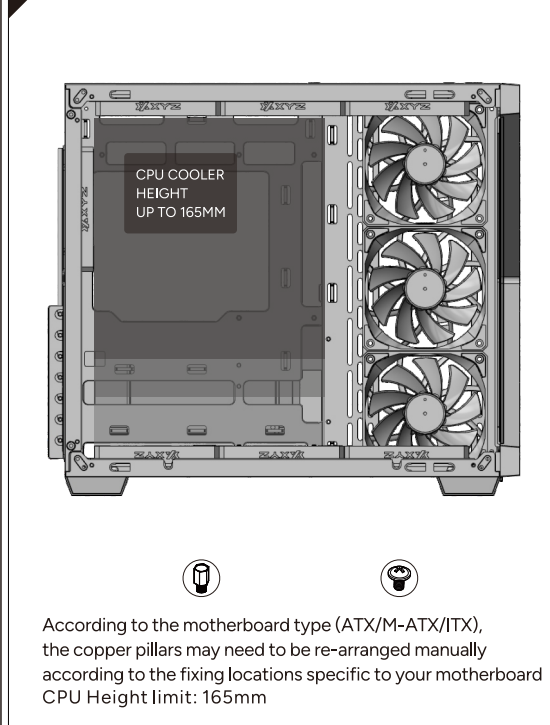
## G Remove and install side panels



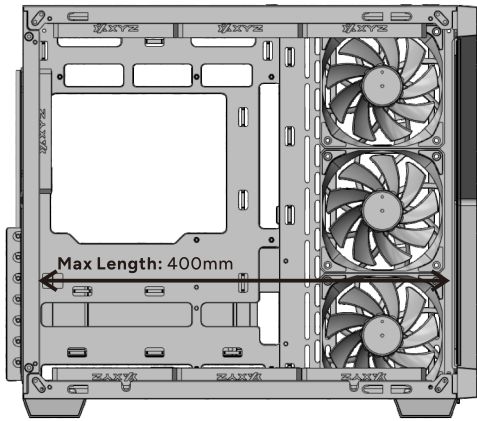
## H The power supply installation



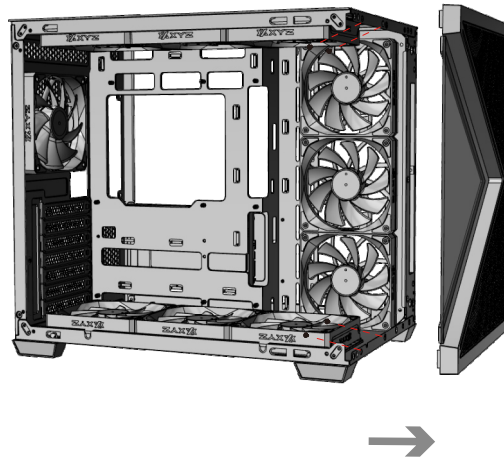
## I Motherboard installation



### J The graphics card installation

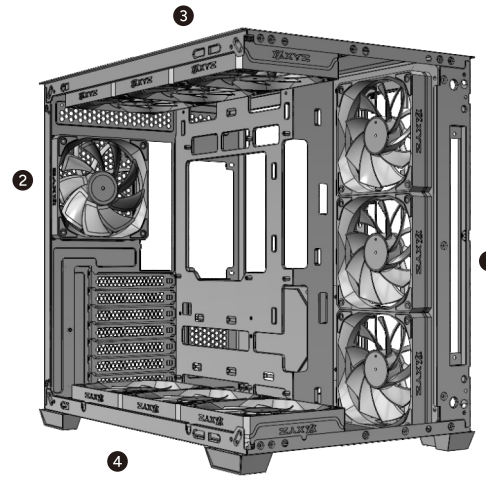


### K Panel



Installation: Fit the panel to the front panel and fix it with screws from the inside of the chassis  
 Removal: Unscrew the screws from the inside of the chassis and remove the panel

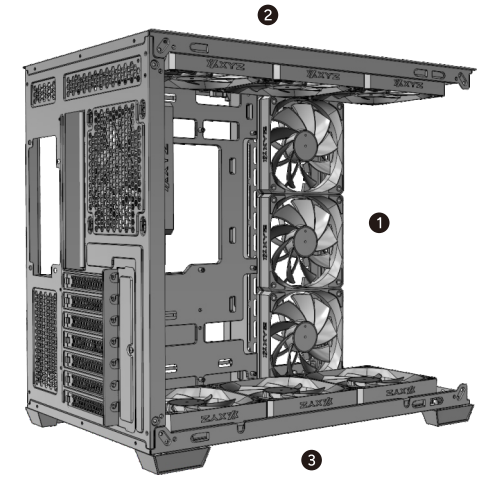
### L Fan installation



**Fan compatibility**

- ① MB tray: 3 x 120mm
- ② Rear: 1 x 120mm
- ③ Top: 3 x 120mm
- ④ Bottom: 3 x 120mm

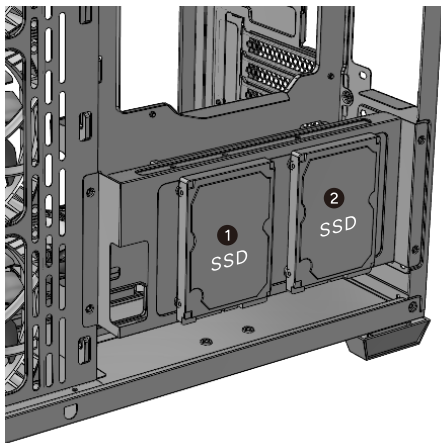
### M Water cooling installation



**Radiator Support**

- ① MB tray: 240/280mm
- ② Top: 240/280/360mm
- ③ Rear: 120mm

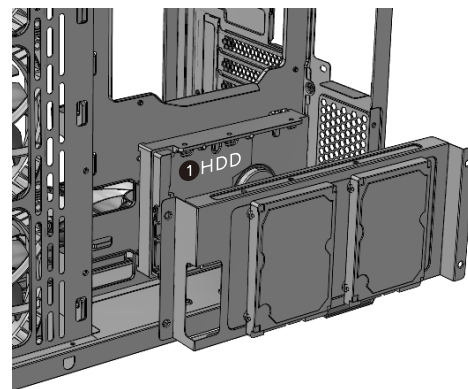
### N SSD installation



2\*SSD

Align the SSD holes and fix them with screws.

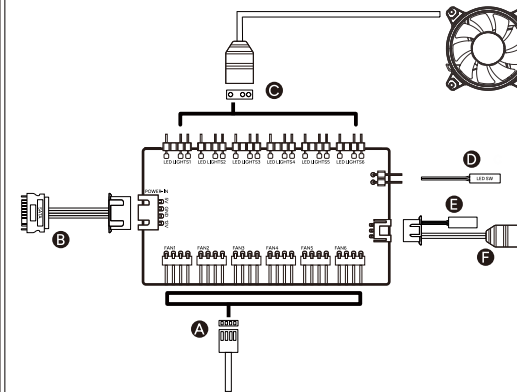
### O HDD installation



1\*HDD

Align the hard disk holes and fix them with HDD screws.

### P PWM function + ARGB controller user instruction



- Ⓐ Connected with 3 pcs small PWM 4PIN.
  - Ⓑ SATA power connector (PSU).
  - Ⓒ Interface for 5V3PIN LED wire, support 6pcs FANS.
  - Ⓓ Can switch to the computer LED button.
  - Ⓔ PWM speed adjusting line.
  - Ⓕ Universal link to motherboard 5V 3pin connector.
- To use this feature, hold down the reset key for 5 seconds.

# XYZ



Find out more about us at  
[www.xyzpcgear.com](http://www.xyzpcgear.com)