









Dive into your next dimension

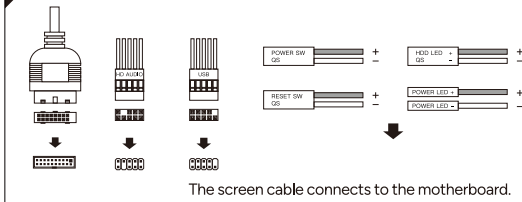
# QUANTUM PRO

Instructions manual

## A Package details

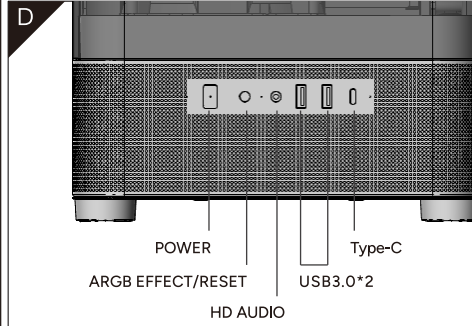
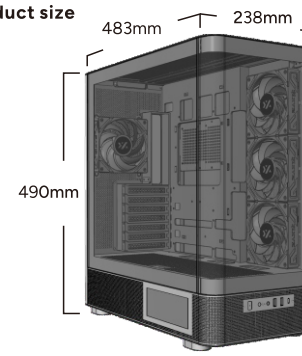
 x17	 x6	 x8
Motherboard screw	The power screw	HDD screw
 x3	 x1	 x6
Copper pillar	Copper pillar sleeve	Cable Tie

## B Schematic diagram of wire interface



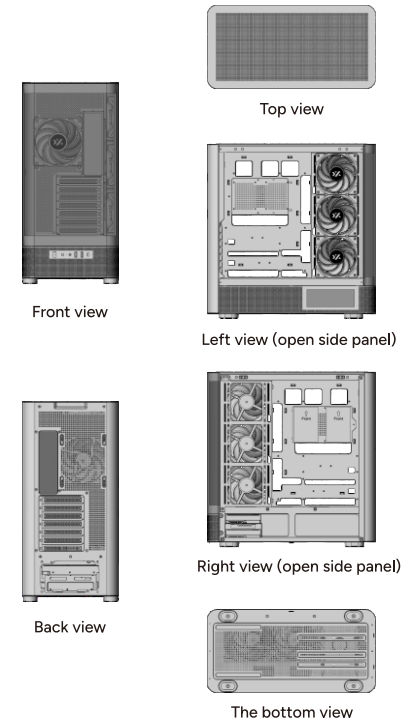
Please refer to the manual that came with your motherboard for any specific connection instructions

## C Product size

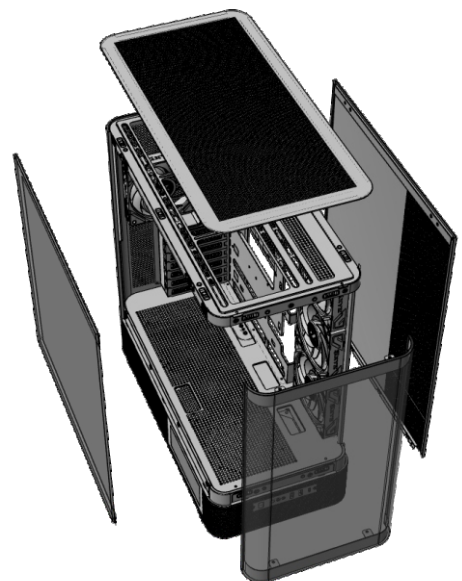


IO panel introduction

## E Machine overview



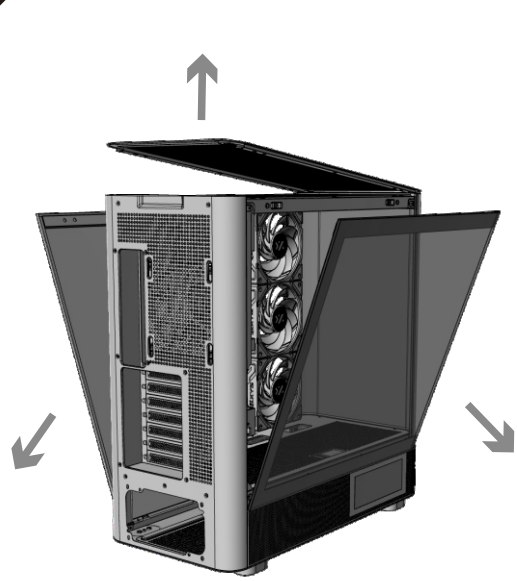
## F Chassis disassembly diagram



Note: XYZ QUANTUM PRO HAVE EXCLUSIVE "NEXUS" SOFTWARE.

- For download it, please follow the QR below in this manual wch open our official website.
- Find QUANTUM PRO and click in your model.
- Find the download section on the page and download and install our software to enjoy the full experience.

## G Remove and install side panels



Open the top panel from the back, then open the side panel by Clip (without screws).

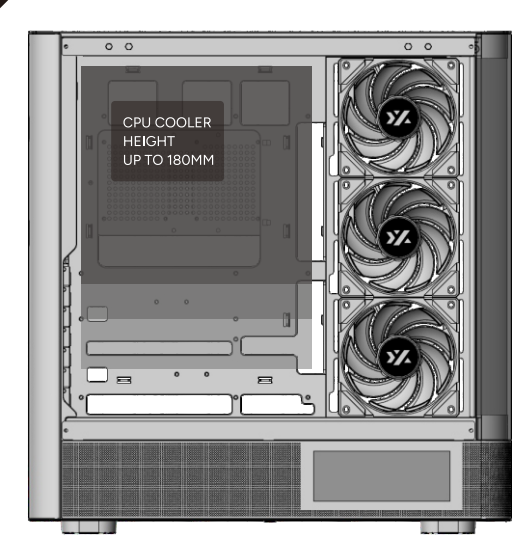
## H The power supply installation



The power supply can be fixed by aligning the screw in the figure to the hole position

Note: different types of power supply, hole location may be slightly different, take the actual object as the standard

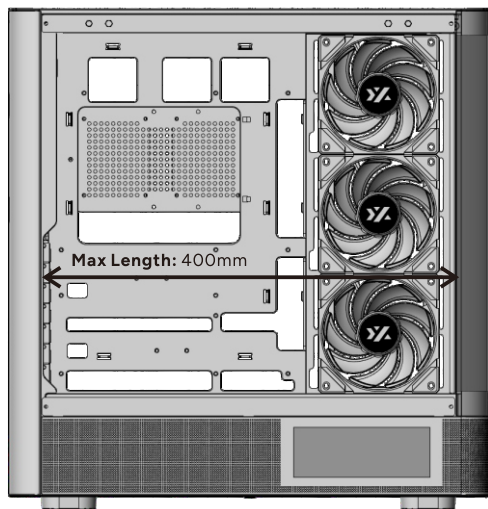
## I Motherboard installation



According to the motherboard type (ATX/M-ATX/ITX), the copper pillars may need to be re-arranged manually according to the fixing locations specific to your motherboard

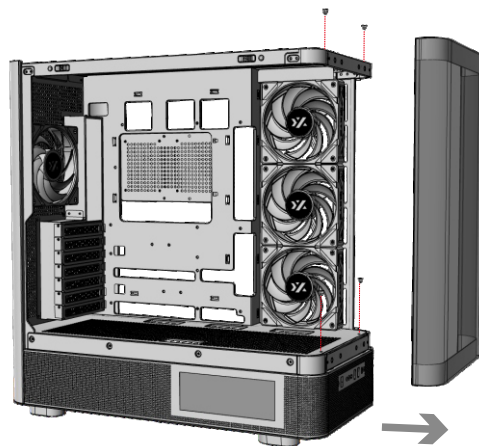
CPU Height limit: 180mm

## J The graphics card installation



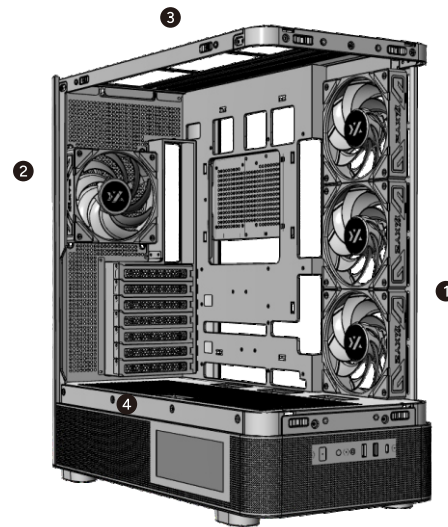
Max Length: 400mm

## K Panel disassembly



Remove the top glass panel, unscrew the inner screws, and lift the front panel up.

## L Fan installation



**Fan compatibility**

- ① MB tray: 3 x 120 / 2 x 140mm
- ② Rear: 1 x 120mm
- ③ Top: 3 x 120 / 140mm
- ④ Bottom: 3 x 120 / 140mm

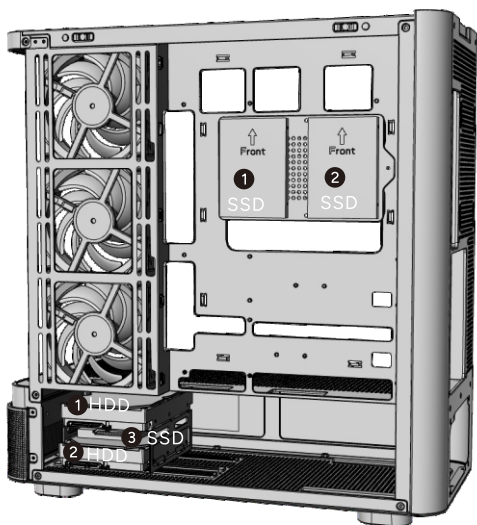
## M Water cooling installation



**Radiator Support**

- ① MB tray: 240mm
- ② Top: 360/420mm

## N SSD/HDD installation



3\*SSD 2\*HDD

Push the SSD/HDD into the slot, align the screw holes, and lock the screws.

## O Connect the LCD display

### 1. Home page

**System information:** View the current system information in real time.

**Setting:** The setting options page is displayed.

**About:** Version number with information about us.

**Model selection:** Select a connected model.

### 2. Settings

**Startup:** select the power-on Self-start box.

**Set Monitoring NIC:** Select the NIC to be monitored.

**Weather forecast Settings:** Enter your city, click Search, and then select the corresponding city from the list to save.

**CPU temperature sensor:** Switch between different sensors.

### 3. Theme interface

After the device is connected, the corresponding model will be displayed. Tap to enter the theme screen.

**Theme selection:** Select the theme in the right column and click Run to switch the theme.

**Screen rotation:** Set screen rotationSet background: Set the background video or picture of the theme with one click.

**Brightness adjustment:** Slide to adjust the brightness.

**Show data:** Use this option to set off or show data.

**Theme editing:** Create and edit themes.

### Edit a theme in the theme editing screen

Select the desired control and click Add Control to edit the control parameters.

You can drag and drop moving controls with the mouse.

After editing, name the theme and click Save. If there is a theme with the same name, the old theme will be replaced.

## P Troubleshooting

**1. If you are stuck on the initialization screen, try the following:** Open the code.ini file in the directory, change 64 to 0 or 8192, save the Settings, and restart the software.

**2. A message is displayed indicating that .net components are missing:** Go to Microsoft official website to download them <https://dotnet.microsoft.com/en-us/download/dotnet-framework/net472>

### 3. The device is not connected

a. Check whether the data cable is connected and ensure that the power supply is sufficient.

b. Check whether the Windows Management Instrumentation service is running properly. If yes, restart this service

c. turn off other RGB light control software

d. Restart or boot software can not connect, but re-plug can connect to this problem is usually caused by the power supply of the motherboard, try to enter the BIOS, find the ERP option in the power management options. If it is off, it is on. If it is on, it is off.

### 4. Usage problems

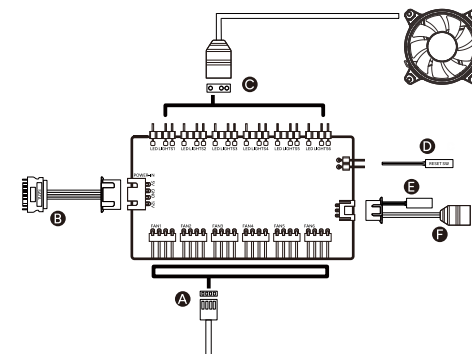
a. CPU temperature is inconsistent with other software

There are many temperature sensors inside the cpu, such as package sensors, diode sensors, different software takes different sensors, so the display is different is normal, you can switch different temperature sensors in the software "Settings".

b. Video card, network speed is not displayed  
In Settings, switch the video card or network card you want to monitor.

The screen cable connects to the motherboard.

## P PWM function + ARGB controller user instruction



**A** Connected with 3 pcs small PWM 4PIN.

**B** SATA power connector (PSU).

**C** Interface for 5V3PIN LED wire, support 6pcs FANS.

**D** Can switch to the computer reset button.

**E** PWM speed adjusting line.

**F** Universal link to motherboard 5V 3pin connector.

To use this feature, hold down the reset key for 5 seconds.

**XYZ**

Find out more about us at [www.xyzpcgear.com](http://www.xyzpcgear.com)

