









Dive into your next dimension

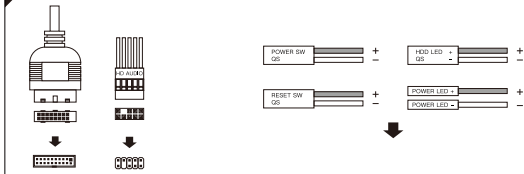
QUANTUM

Instructions manual

A Package details

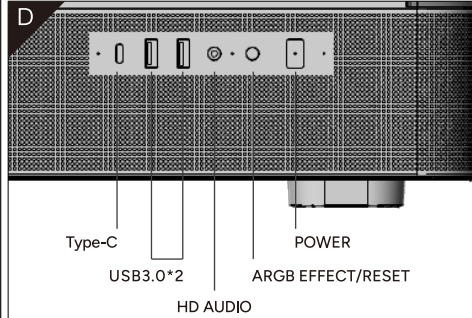
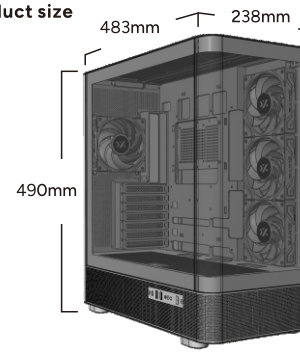
 x17	 x6	 x8
Motherboard screw	The power screw	HDD screw
 x3	 x1	 x6
Copper pillar	Copper pillar sleeve	Cable Tie

B Schematic diagram of wire interface



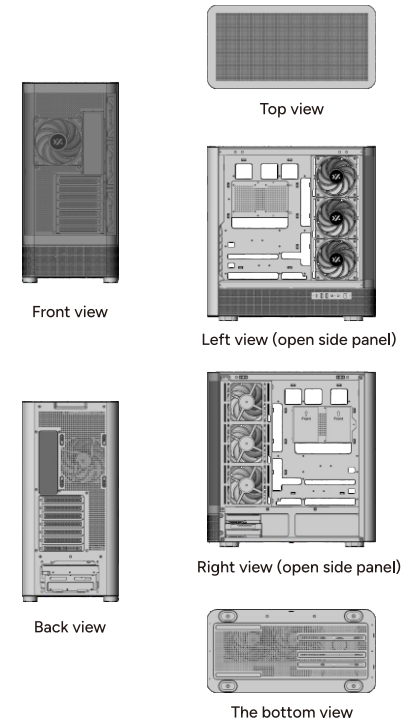
Please refer to the manual that came with your motherboard for any specific connection instructions

C Product size

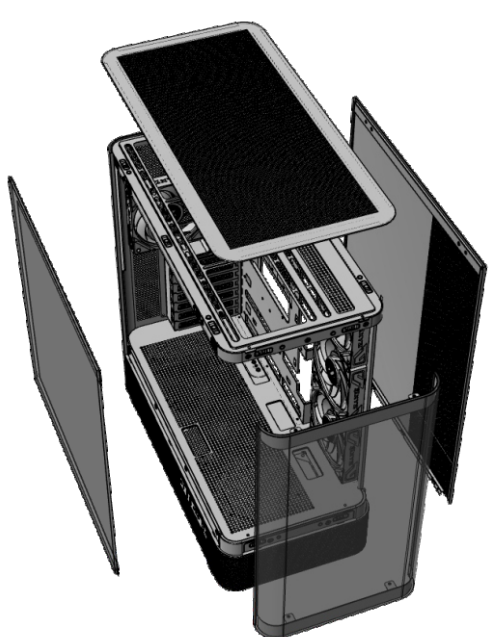


IO panel introduction

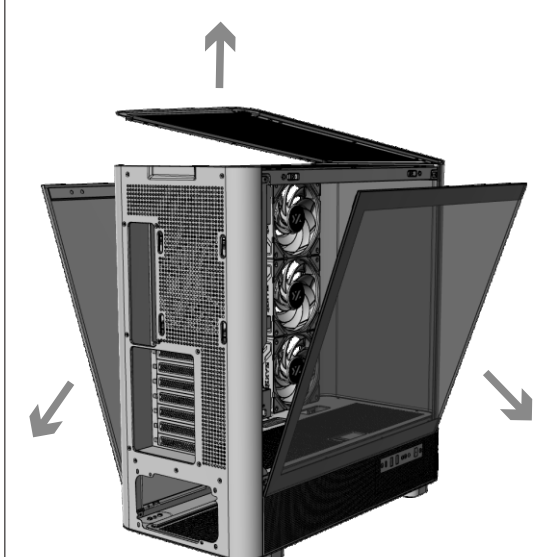
E Machine overview



F Chassis disassembly diagram

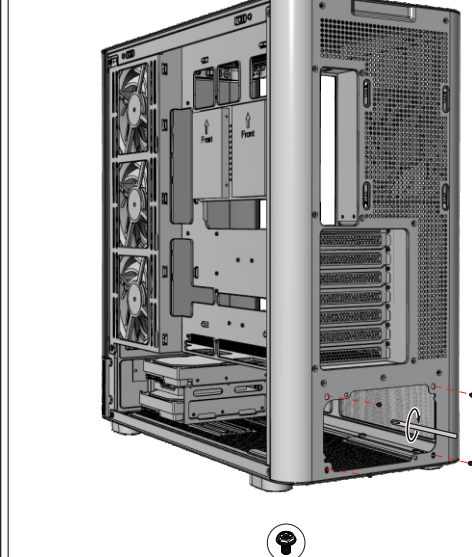


G Remove and install side panels



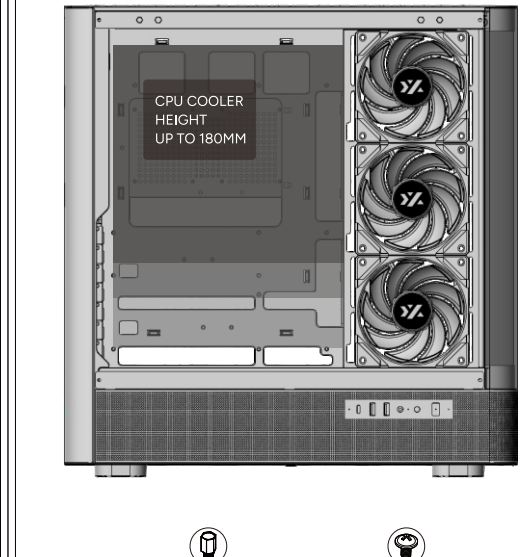
Open the top panel from the back, then open the side panel by Clip (without screws).

H The power supply installation



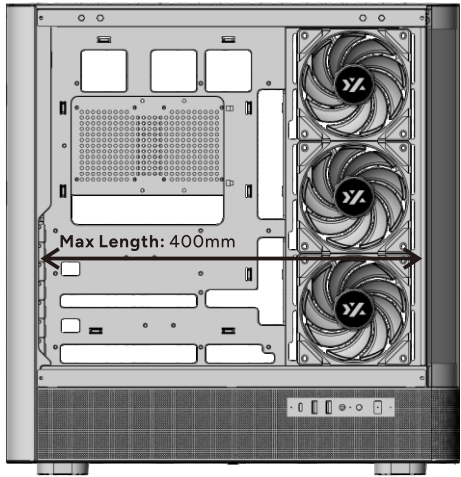
The power supply can be fixed by aligning the screw in the figure to the hole position
Note: different types of power supply, hole location may be slightly different, take the actual object as the standard

I Motherboard installation

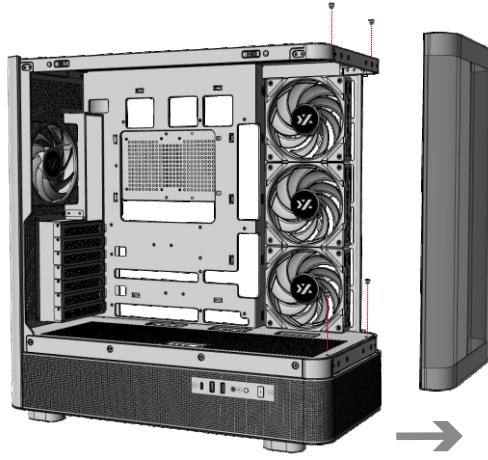


According to the motherboard type (ATX/M-ATX/ITX), the copper pillars may need to be re-arranged manually according to the fixing locations specific to your motherboard
CPU Height limit: 180mm

J The graphics card installation

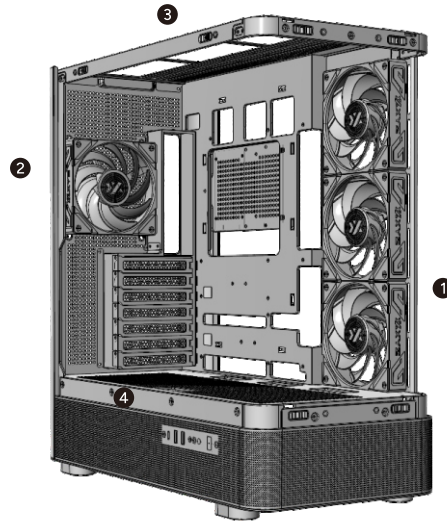


K Panel disassembly



Remove the top glass panel, unscrew the inner screws, and lift the front panel up.

L Fan installation



Fan compatibility

- ① MB tray: 3 x 120 / 2 x 140mm
- ② Rear: 1 x 120mm
- ③ Top: 3 x 120 / 140mm
- ④ Bottom: 3 x 120 / 140mm

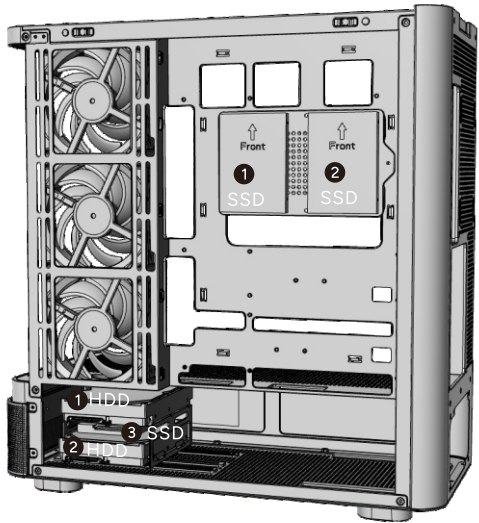
M Water cooling installation



Radiator Support

- ① MB tray: 240mm
- ② Top: 360/420mm

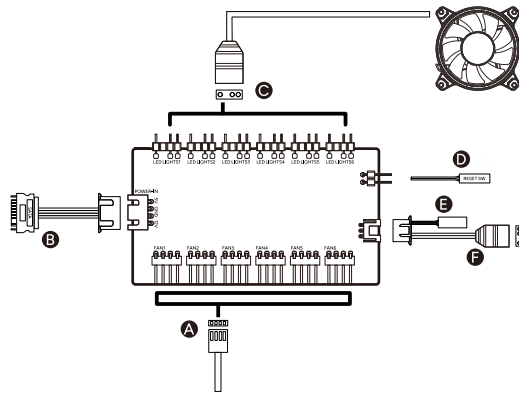
N SSD/HDD installation



3*SSD 2*HDD

Push the SSD/HDD into the slot, align the screw holes, and lock the screws.

O PWM function + ARGB controller user instruction



- Ⓐ Connected with 3 pcs small PWM 4PIN.
 - Ⓑ SATA power connector (PSU).
 - Ⓒ Interface for 5V3PIN LED wire, support 6pcs FANs.
 - Ⓓ Can switch to the computer reset button.
 - Ⓔ PWM speed adjusting line.
 - Ⓕ Universal link to motherboard 5V 3pin connector.
- To use this feature, hold down the reset key for 5 seconds.

XYZ



Find out more about us at
www.xyzpcgear.com