




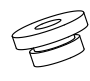




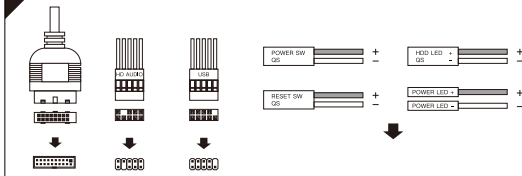
PORTAL

PORTAL 200 A-RGB
Instructions manual

A Package details

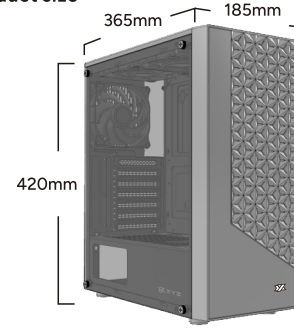
| | | |
|---|---|--|
|  x 14 |  x 4 |  x 4 |
| Motherboard screw | The power screw | HDD screws(6#*5) |
|  x 1 |  x 3 |  x 4 |
| HDD screws(6-32) | Copper pillar | Hard disk shock pad |
|  x 4 |  x 4 | |
| Cable Tie | HDD screws | |

B Schematic diagram of wire interface

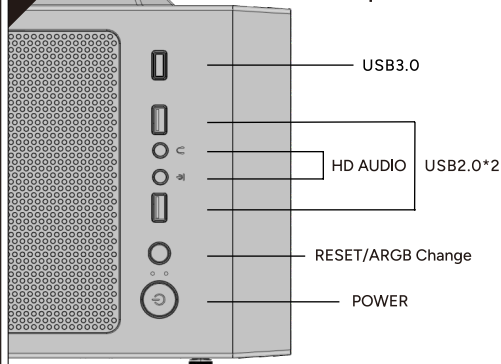


Please refer to the manual that came with your motherboard for any specific connection instructions

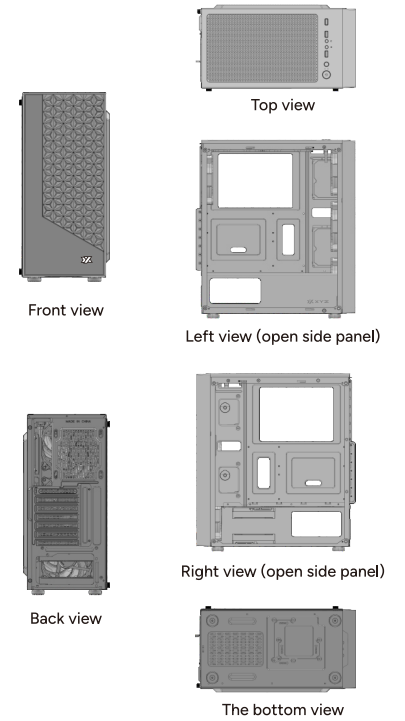
C Product size



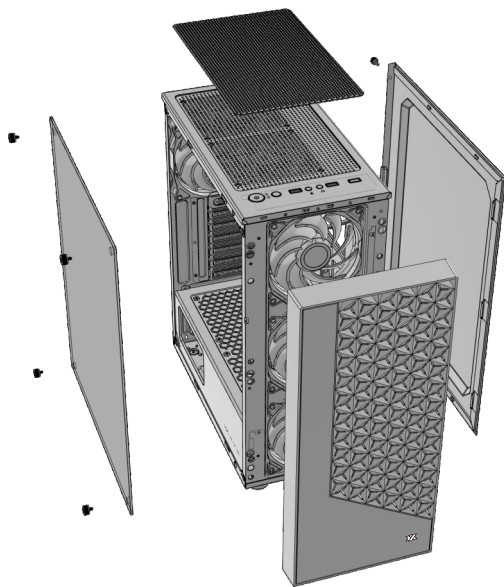
D IO panel introduction



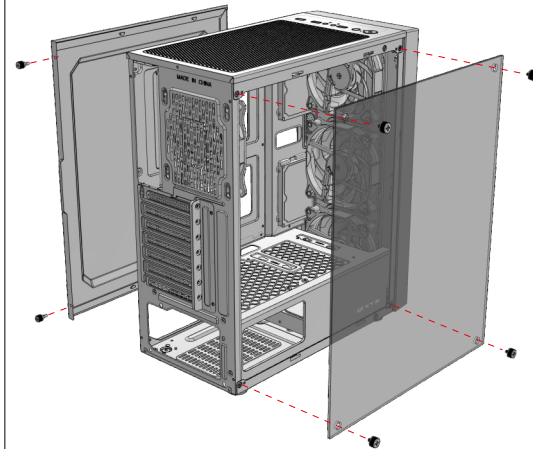
E Machine overview



F Chassis disassembly diagram

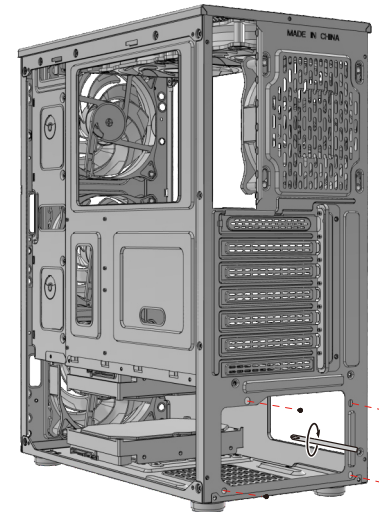


G Remove and install side panels



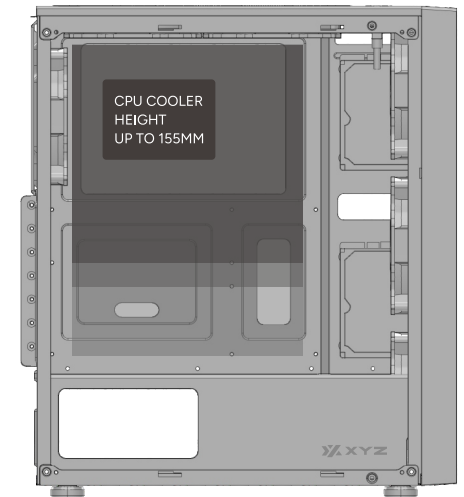
Glass side panel installation:
Fix the glass side panel with 4 screws (as shown above)
Metal side plate installation:
Buckle the side plate and fix it with two screws

H The power supply installation



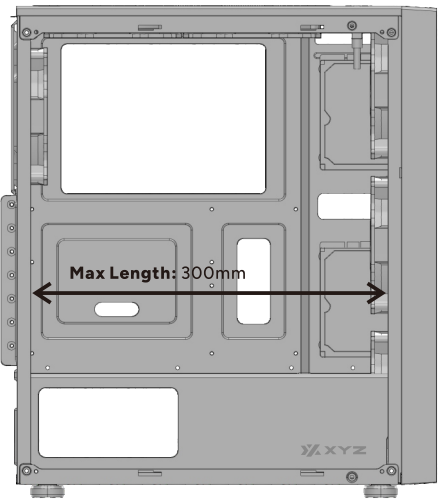
The power supply can be fixed by aligning the screw in the figure to the hole position
Note: different types of power supply, hole location may be slightly different, take the actual object as the standard

I Motherboard installation

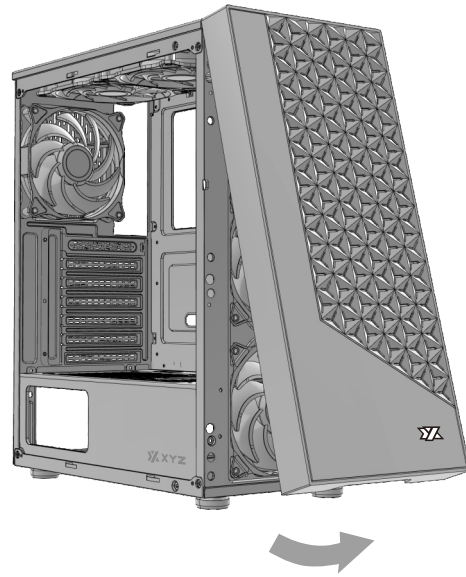


According to the motherboard type (ATX/M-ATX/ITX), the copper pillars may need to be re-arranged manually according to the fixing locations specific to your motherboard
CPU Height limit: 155mm

J The graphics card installation

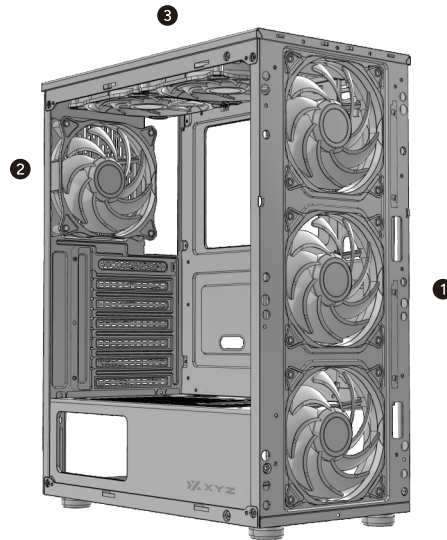


K Panel disassembly



To remove the front panel of the case, pull it by hand, firmly from the bottom of the panel

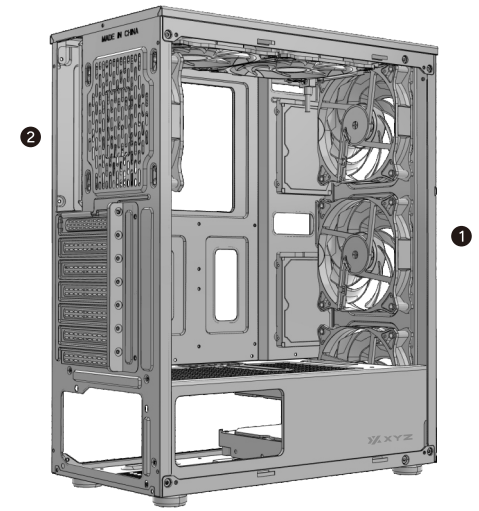
L Fan installation



Fan compatibility

- ① Front: 3 x 120mm
- ② Rear: 1 x 120mm
- ③ Top: 2 x 120mm

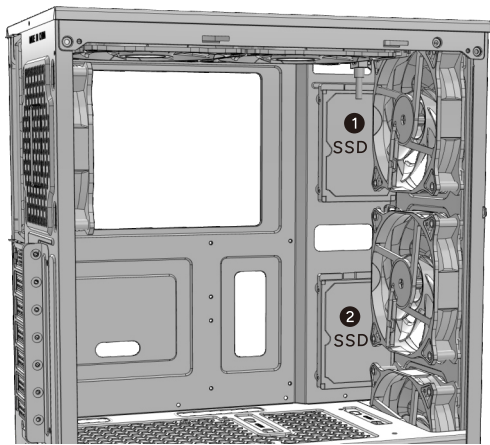
M Water cooling installation



Radiator Support

- ① Front: 120/240mm
- ② Rear: 120mm

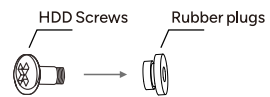
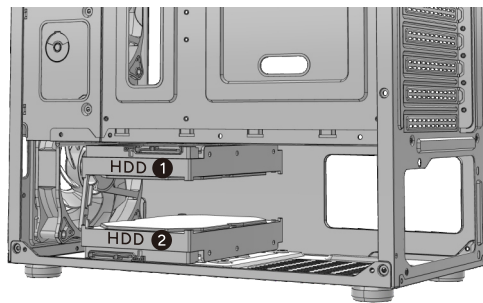
N SSD installation



2*SSD

Align the SSD holes and fix them with screws.

O HDD installation



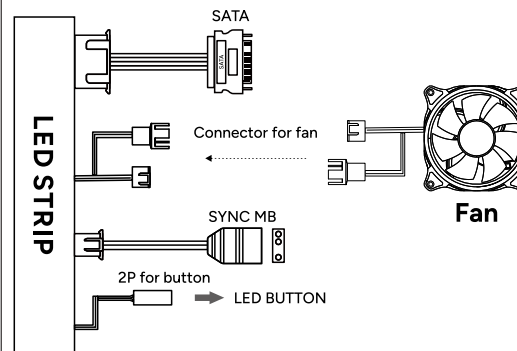
2*HDD

① HDD installation ② HDD installation

1. Put the HDD screws into the rubber plugs, and then align the 3 HDD screw holes and fix them. (as above picture)
 2. Push the hard disk back to the drive rack along the slide.
 3. Fix with long HDD screws.

Secure the hard disk with four screws.

P Fan interface



Find out more about us at www.xyzpcgear.com