




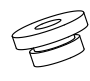




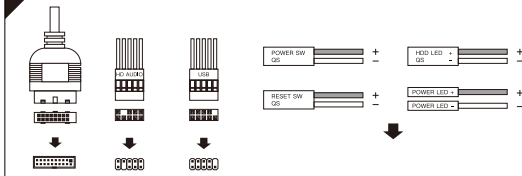
PORTAL

PORTAL 100 A-RGB
Instructions manual

A Package details

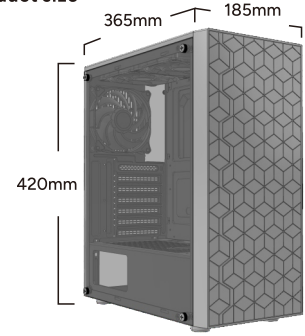
 x 14	 x 4	 x 4
Motherboard screw	The power screw	HDD screws(6#*5)
 x 1	 x 3	 x 4
HDD screws(6-32)	Copper pillar	Hard disk shock pad
 x 4	 x 4	
Cable Tie	HDD screws	

B Schematic diagram of wire interface

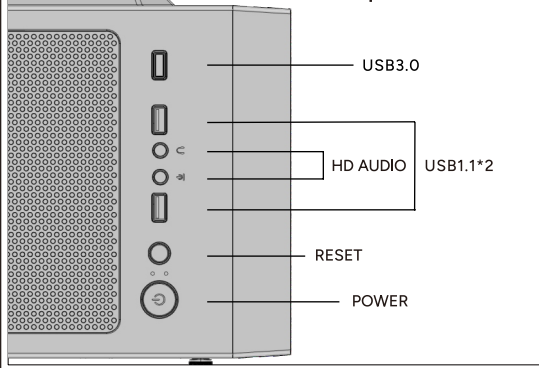


Please refer to the manual that came with your motherboard for any specific connection instructions

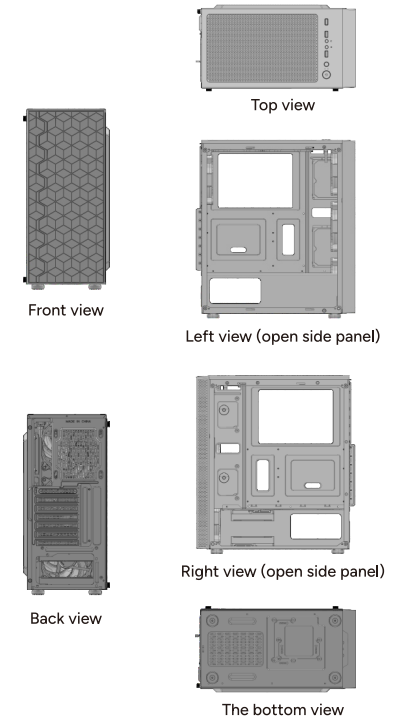
C Product size



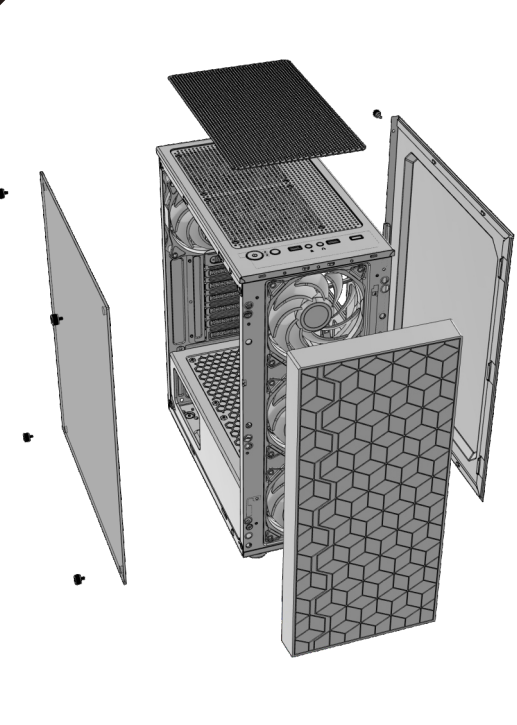
D IO panel introduction



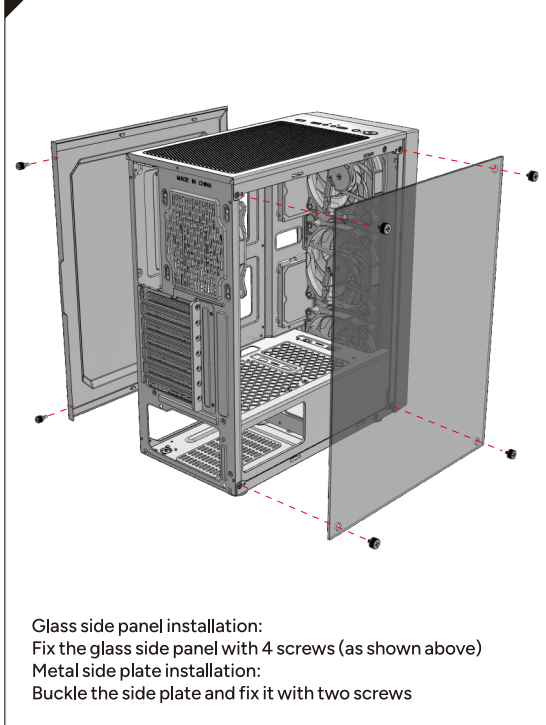
E Machine overview



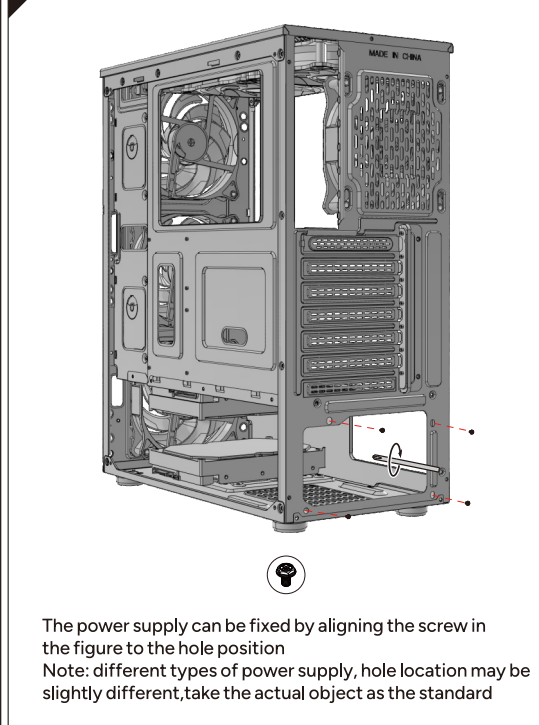
F Chassis disassembly diagram



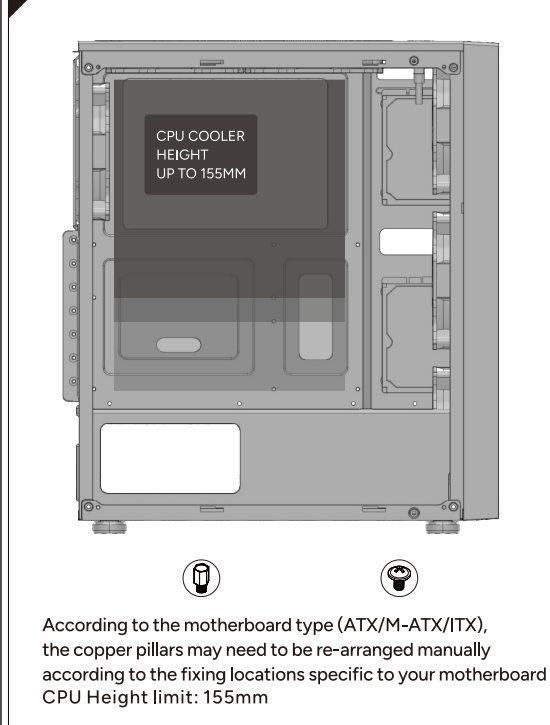
G Remove and install side panels



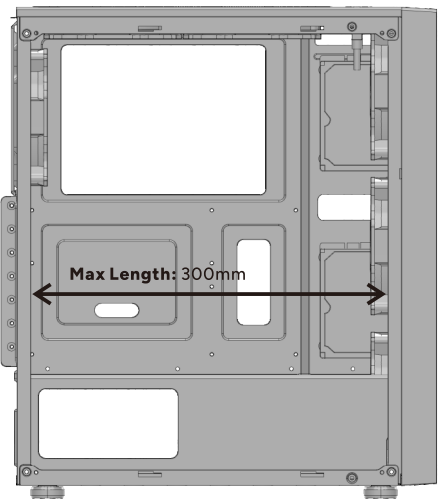
H The power supply installation



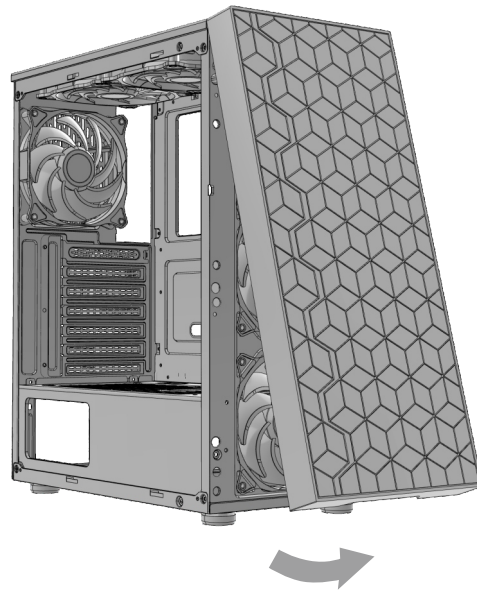
I Motherboard installation



J The graphics card installation

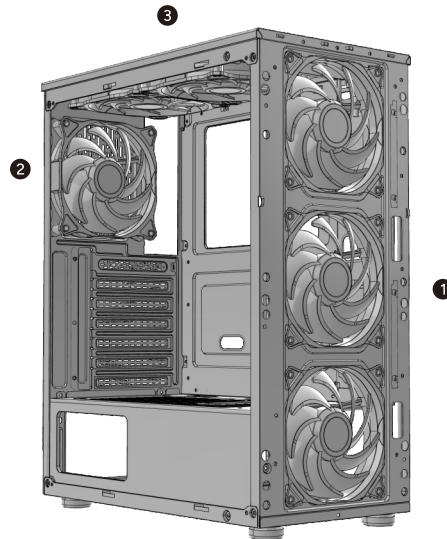


K Panel disassembly



To remove the front panel of the case, pull it by hand, firmly from the bottom of the panel

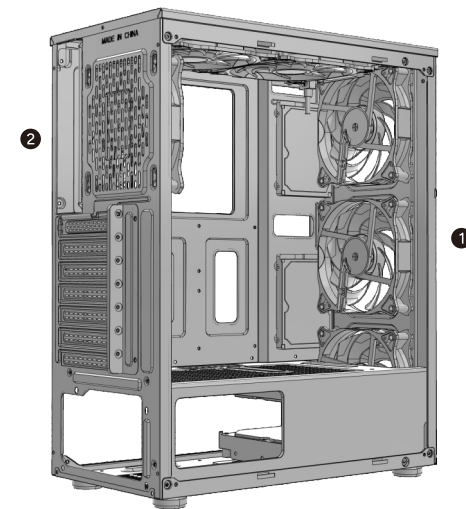
L Fan installation



Fan compatibility

- ① Front: 3 x 120mm
- ② Rear: 1 x 120mm
- ③ Top: 2 x 120mm

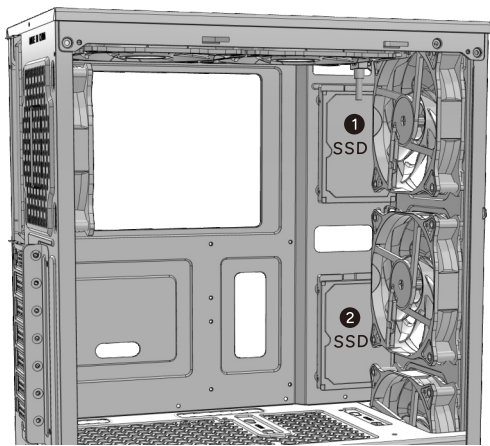
M Water cooling installation



Radiator Support

- ① Front: 120/240mm
- ② Rear: 120mm

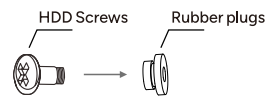
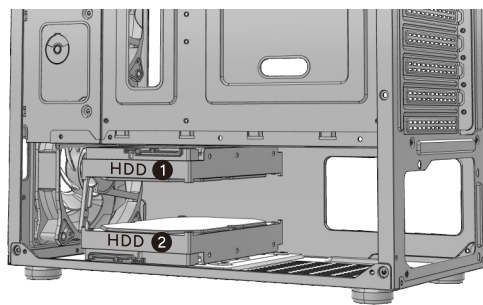
N SSD installation



2*SSD

Align the SSD holes and fix them with screws.

O HDD installation



2*HDD

① HDD installation ② HDD installation

1.Put the HDD screws into the rubber plugs, and then align the 3 HDD screw holes and fix them. (as above picture)
 2.Push the hard disk back to the drive rack along the slide.
 3.Fix with long HDD screws.

Secure the hard disk with four screws.



Find out more about us at www.xyzpcgear.com