









Dive into your next dimension

# NEUTRON

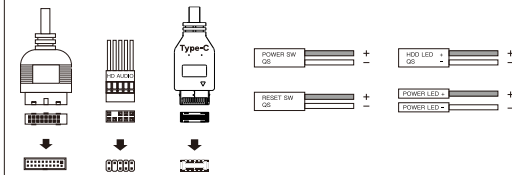
NEUTRON X PRO

Instructions manual

## A Package details

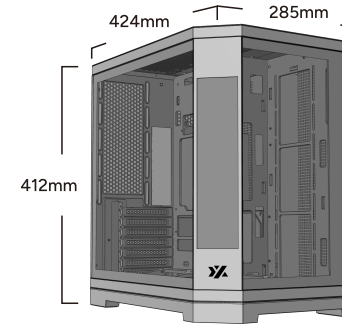
 x 18	 x 6	 x 9
Motherboard screw	The power screw	HDD screw
 x 3	 x 5	 x 5
Copper pillar	Cable Tie	Velcro

## B Schematic diagram of wire interface

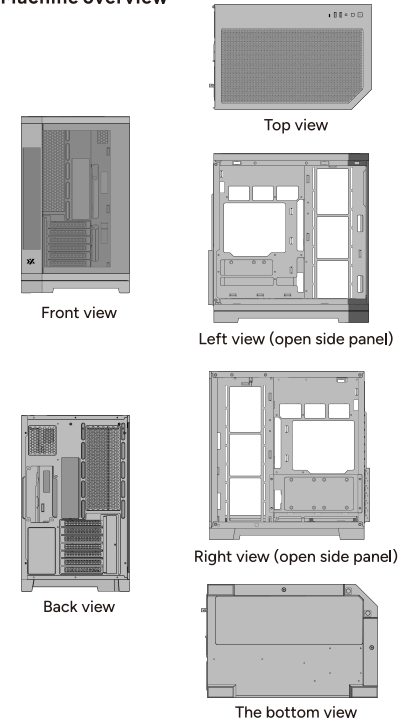


Please refer to the manual that came with your motherboard for any specific connection instructions

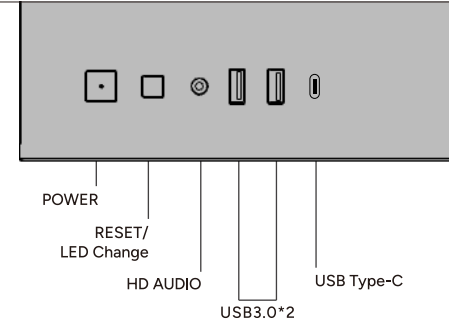
## C Product size



## E Machine overview

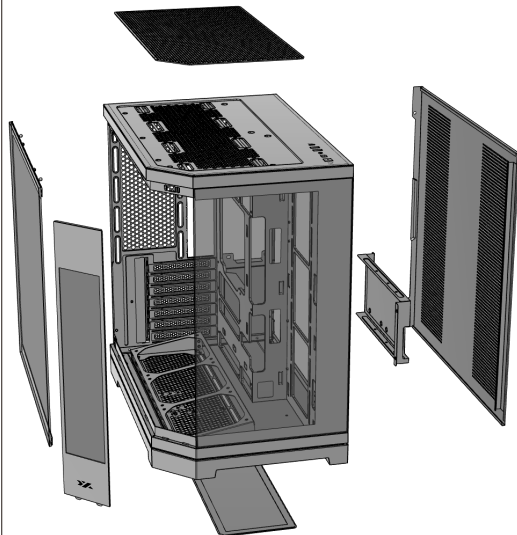


## D

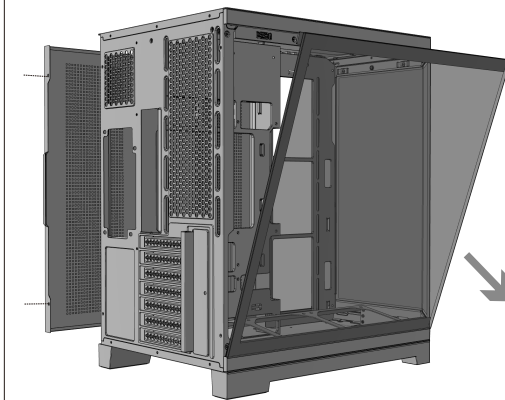


## IO panel introduction

## F Chassis disassembly diagram

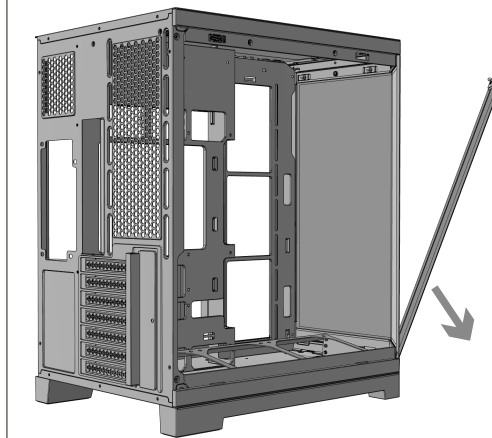


## G Remove and install side panels



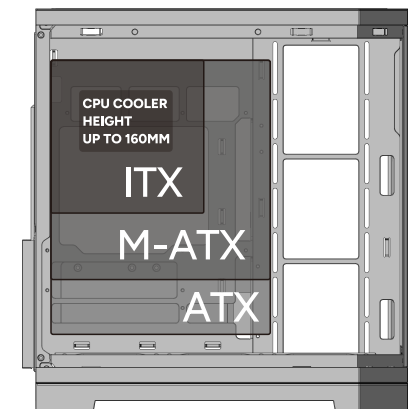
The way of Side glass panel opens is by Clip (without screws). Remove the iron side plate: remove the two screws at the rear.

## H Panel disassembly



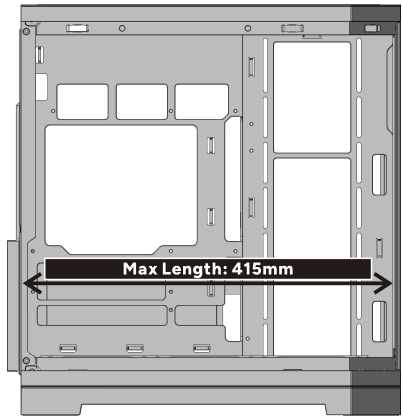
The way of Front glass panel opens is by Clip (without screws).

## I Motherboard installation

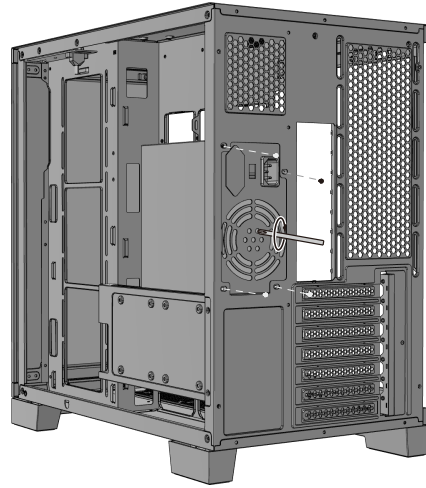


According to the motherboard type (ATX/M-ATX/ITX), the copper pillars may need to be re-arranged manually according to the fixing locations specific to your motherboard CPU Cooler Height limit: 160mm

### J The graphics card installation

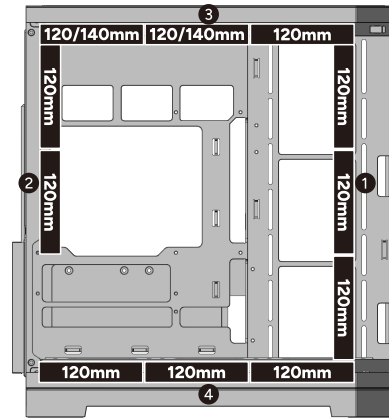


### K The power supply installation



The power supply can be fixed by aligning the screw in the figure to the hole position  
 Note: different types of power supply, hole location may be slightly different, take the actual object as the standard

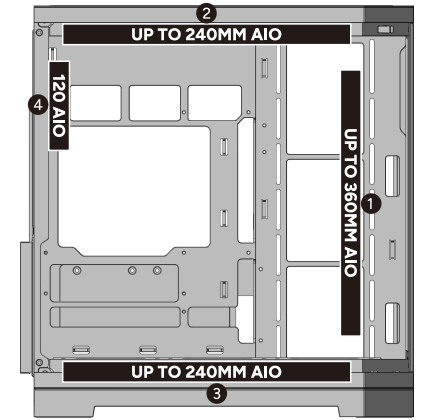
### L Fan installation



#### Fan compatibility

- ① MB tray: 3 x 120 (Pre-installed)
- ② Rear: 2 x 120mm (Pre-installed)
- ③ Top: 3 x 120/ 2 x 140mm
- ④ Bottom: 3 x 120mm

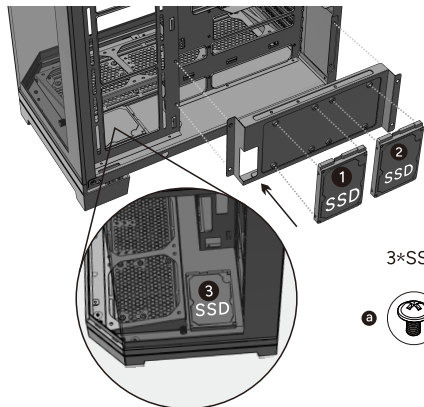
### M Water cooling installation



#### Radiator Support

- ① MB tray: 360/280/240mm
- ② Top: 240mm
- ③ Bottom: 240mm (Removed fan bracket)
- ④ Rear: 120mm

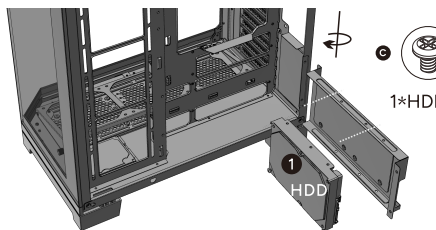
### N SSD/HDD Installation



3\*SSD



Align the SSD holes and fix them with screws.



1\*HDD

Align the hard disk holes and fix them with HDD screws.

### O Connect the LCD display

#### Step 1

Take out the small 4-pin to DuPont 9-pin link cable, and connect the small 4-pin to this interface. (Pay attention to the direction and the fool-proof port, and do not connect it incorrectly.)

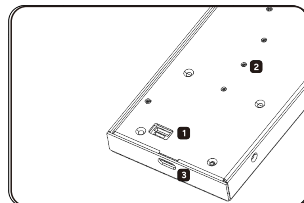
#### Step 2

According to the product's usage scenario, install the L bracket and hang it on the water-cooled exhaust pipe. You can also use the type C interface cable as per the product's usage requirements.

#### Step 3

When placing the chassis inside: You can use a 4-pin to DuPont 9-pin connection cable or a type C interface to DuPont 9-pin connection cable to connect the DuPont 9-pin to the USB interface at the bottom of the motherboard.

When placing the case externally: You can use the DuPont 9-pin to USB adapter cable, or the type C interface to DuPont 9-pin adapter cable to connect the two cables in series. Connect the USB interface to the USB interface on the back of the motherboard.

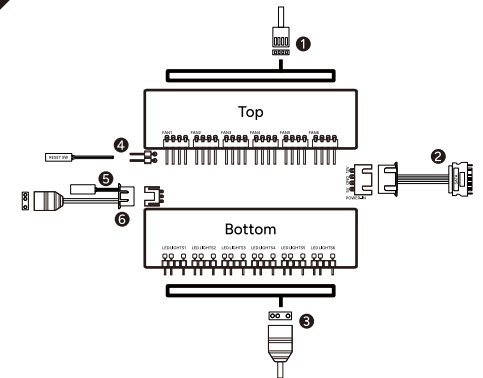


## IMPORTANT!

- 1- THE SCREEN REQUIRES SPECIAL SOFTWARE TO WORKS.
- 2- IMPORTANT! SHOULD INSTALL THE SOFTWARE YOU WILL FIND IN THE DOWNLOAD PAGE FOR THE SCREEN WORKS.
- 3- PLEASE SCAN THIS QR, SEARCH FOR YOUR PRODUCT AND DOWNLOAD THE SOFTWARE.



### P PWM function + ARGB controller user instruction



- ① 4 Pin PWM – Fan power connector, for connecting fans
- ② SATA – Power connector, for connecting to the PSU
- ③ 3 Pin ARGB – Fan ARGB connector, for connecting to fans
- ④ 2 Pin – Lighting mode switch connector, for connecting to the PC Reset button or LED button
- ⑤ 4 Pin PWM – PWM fan speed control input, for connecting to the motherboard
- ⑥ 3 Pin ARGB – ARGB lighting effect signal input, for connecting to the motherboard. To use this function, press and hold the No.4 button for 5 seconds to reset lighting effects.



Find out more about us at [www.xyzpcgear.com](http://www.xyzpcgear.com)

