









Dive into your next dimension

NEUTRON

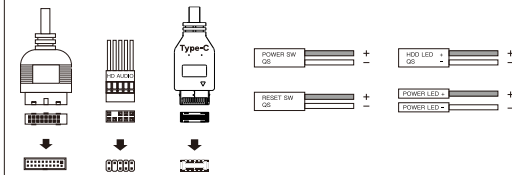
NEUTRON X

Instructions manual

A Package details

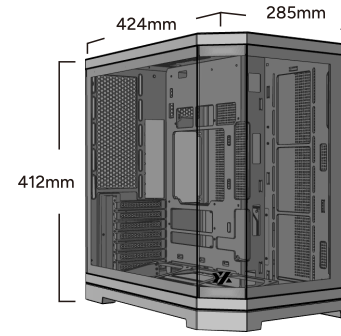
 x18	 x6	 x9
 x3	 x5	 x5
Motherboard screw	The power screw	HDD screw
Copper pillar	Cable Tie	Velcro

B Schematic diagram of wire interface

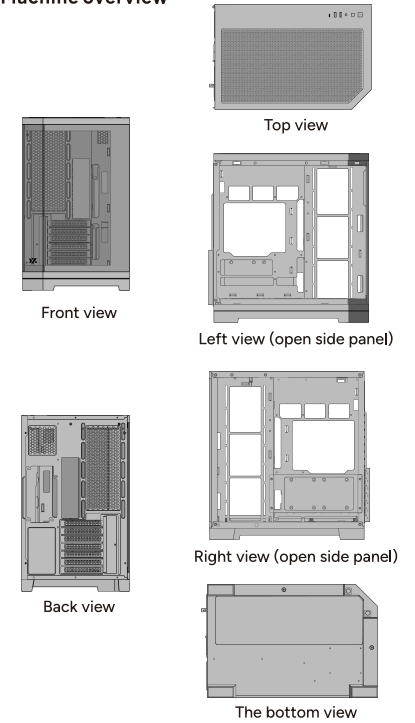


Please refer to the manual that came with your motherboard for any specific connection instructions

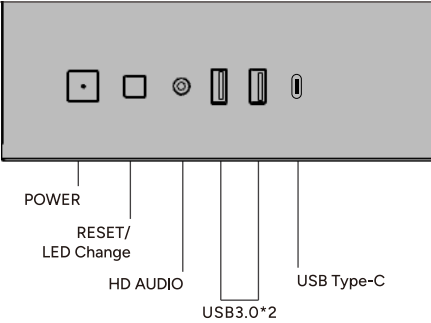
C Product size



E Machine overview

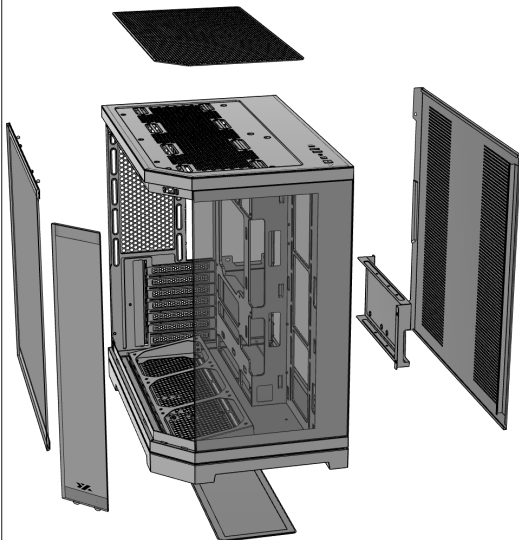


D

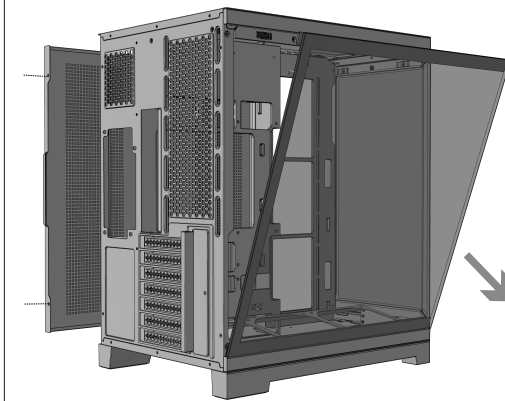


IO panel introduction

F Chassis disassembly diagram

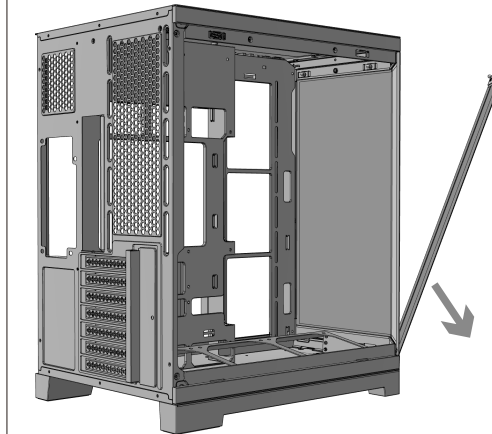


G Remove and install side panels



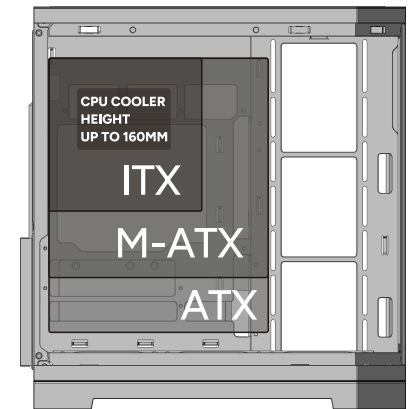
The way of Side glass panel opens is by Clip (without screws). Remove the iron side plate: remove the two screws at the rear.

H Panel disassembly



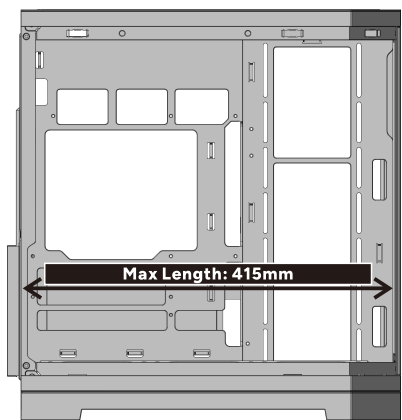
The way of Front glass panel opens is by Clip (without screws).

I Motherboard installation

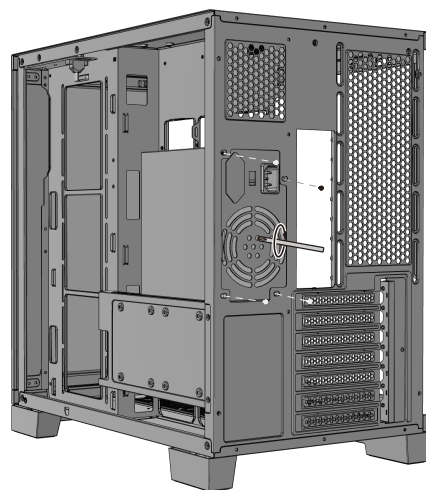


According to the motherboard type (ATX/M-ATX/ITX), the copper pillars may need to be re-arranged manually according to the fixing locations specific to your motherboard CPU Cooler Height limit: 160mm

J The graphics card installation

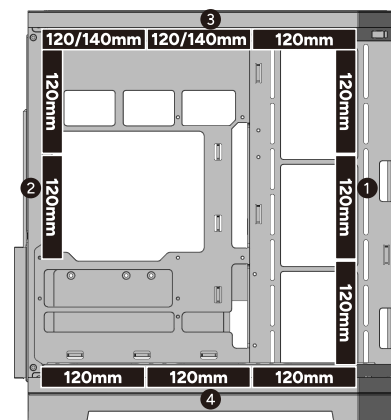


K The power supply installation



The power supply can be fixed by aligning the screw in the figure to the hole position
Note: different types of power supply, hole location may be slightly different, take the actual object as the standard

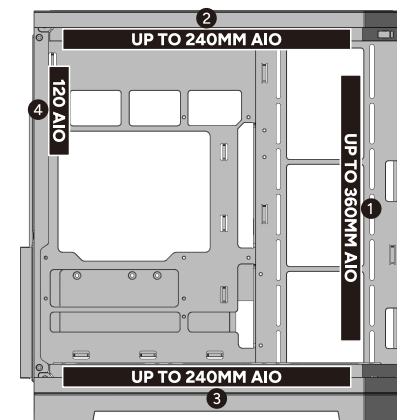
L Fan installation



Fan compatibility

- ① MB tray: 3 x 120 (Pre-installed)
- ② Rear: 2 x 120mm (Pre-installed)
- ③ Top: 3 x 120/ 2 x 140mm
- ④ Bottom: 3 x 120mm

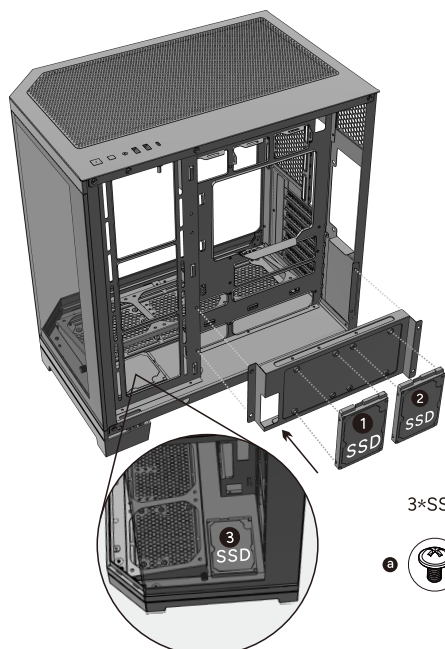
M Water cooling installation



Radiator Support

- ① MB tray: 360/280/240mm
- ② Top: 240mm
- ③ Bottom: 240mm (Removed fan bracket)
- ④ Rear: 120mm

N SSD installation

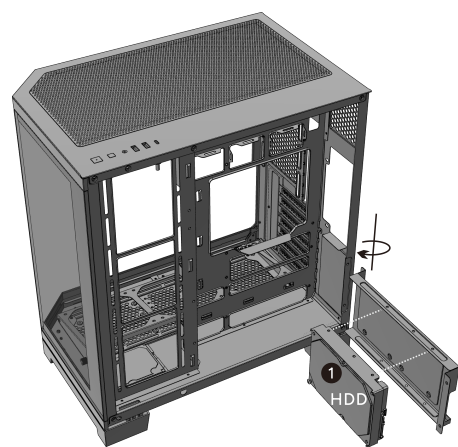


3*SSD



Align the SSD holes and fix them with screws.

O HDD installation

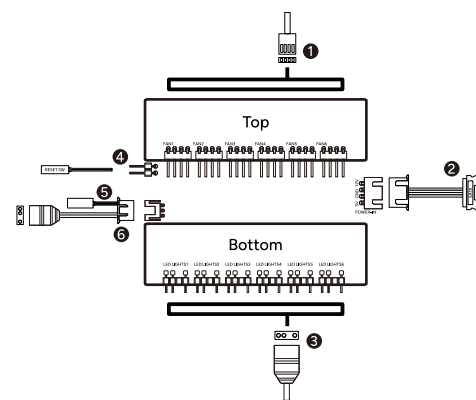


1*HDD



Align the hard disk holes and fix them with HDD screws.

P PWM function + ARGB controller user instruction



- ① 4 Pin PWM – Fan power connector, for connecting fans
- ② SATA – Power connector, for connecting to the PSU
- ③ 3 Pin ARGB – Fan ARGB connector, for connecting to fans
- ④ 2 Pin – Lighting mode switch connector, for connecting to the PC Reset button or LED button
- ⑤ 4 Pin PWM – PWM fan speed control input, for connecting to the motherboard
- ⑥ 3 Pin ARGB – ARGB lighting effect signal input, for connecting to the motherboard. To use this function, press and hold the No.4 button for 5 seconds to reset lighting effects.

XYZ



Find out more about us at
www.xyzpcgear.com