







XYZ

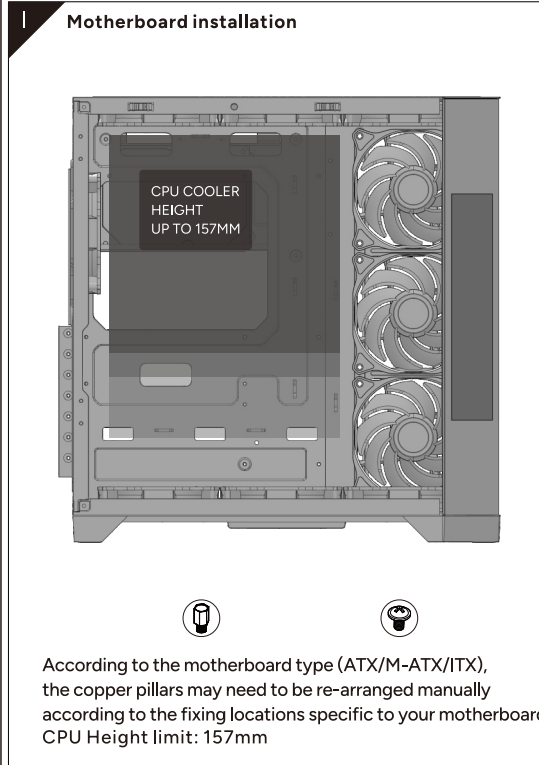
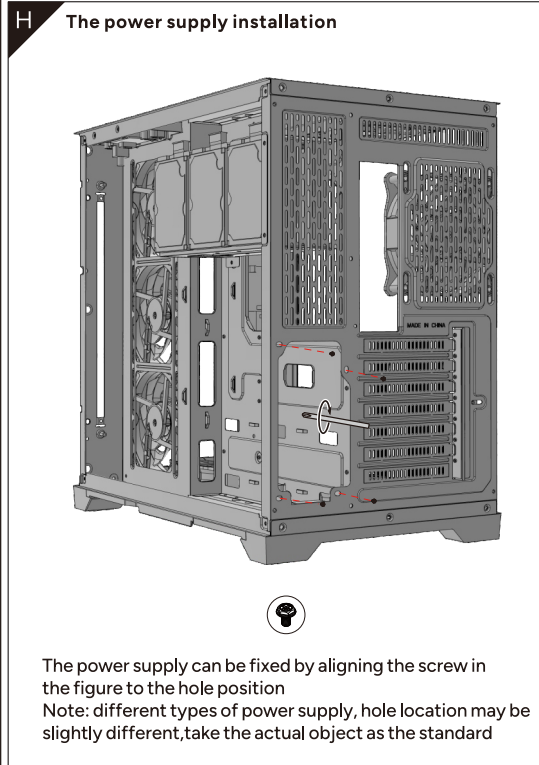
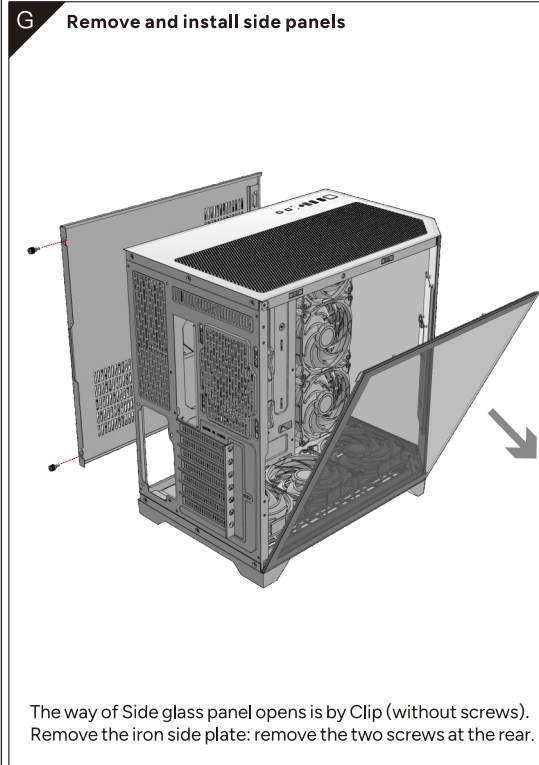
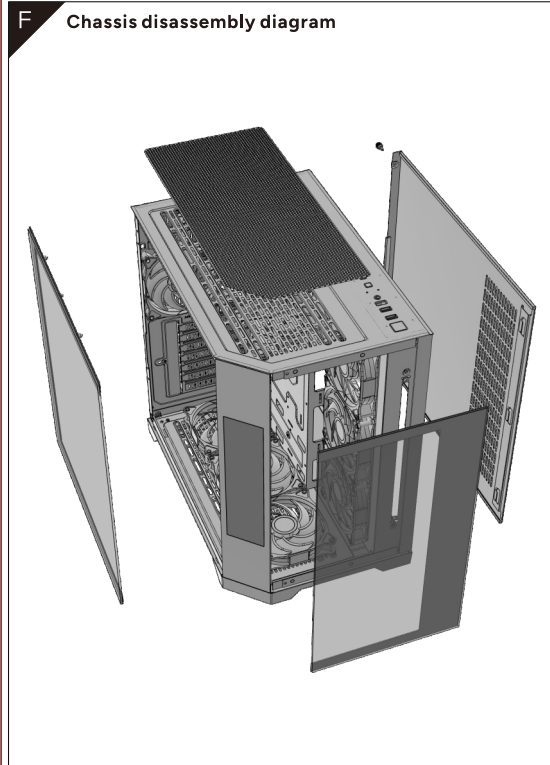
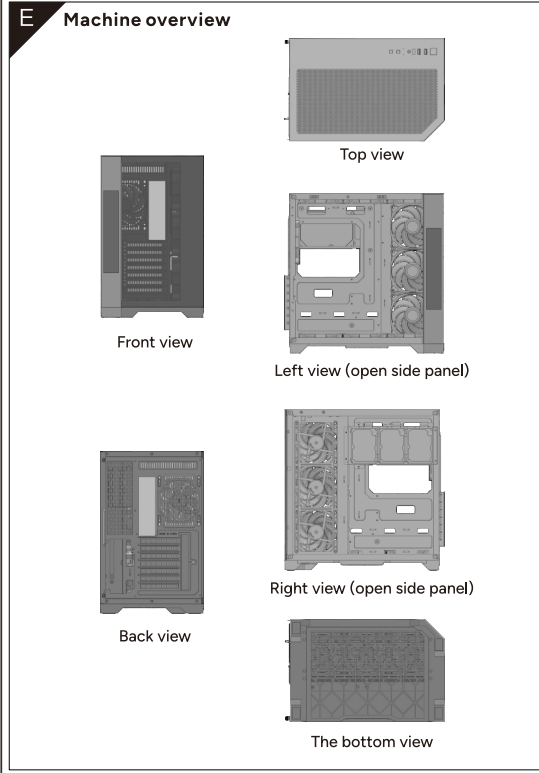
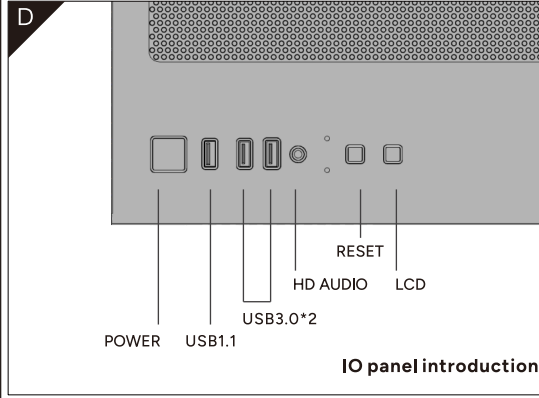
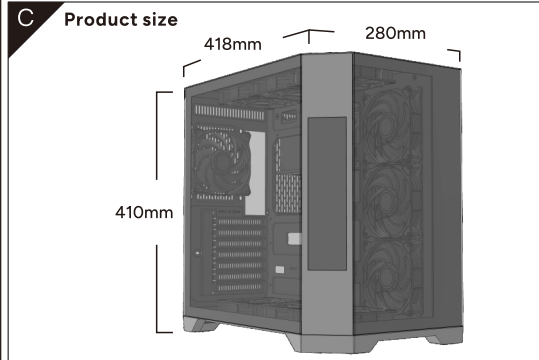
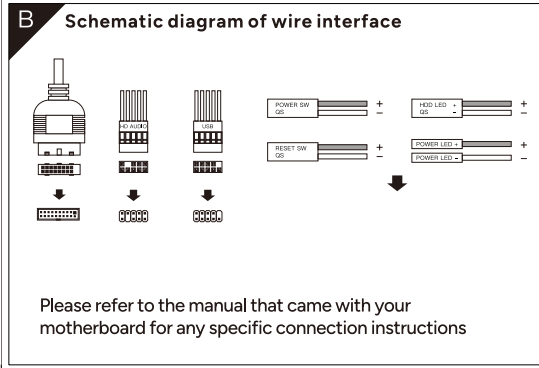
Dive into your next dimension

NEUTRON

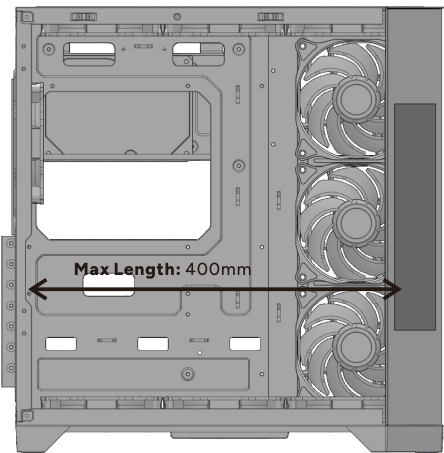
NEUTRON VIEW
Instructions manual

A Package details

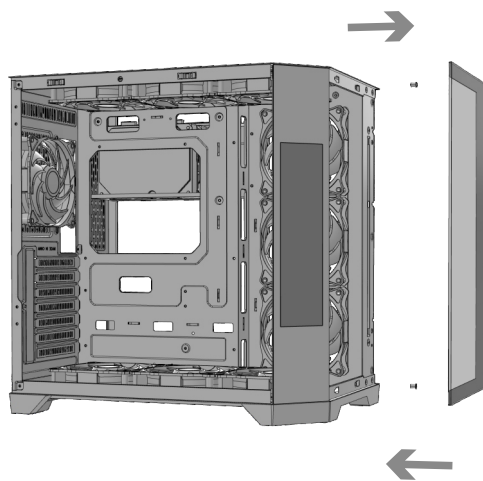
 x10	 x5	 x4
Motherboard screw	The power screw	HDD screw
 x3	 x4	 x5
Copper pillar	Hard disk Screws	Cable Tie



J The graphics card installation

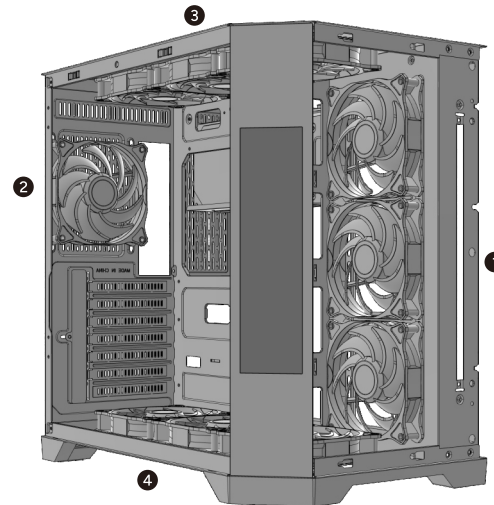


K Panel disassembly



Installation: Fit the panel to the front panel and fix it with screws from the inside of the chassis
Removal: Unscrew the screws from the inside of the chassis and remove the panel

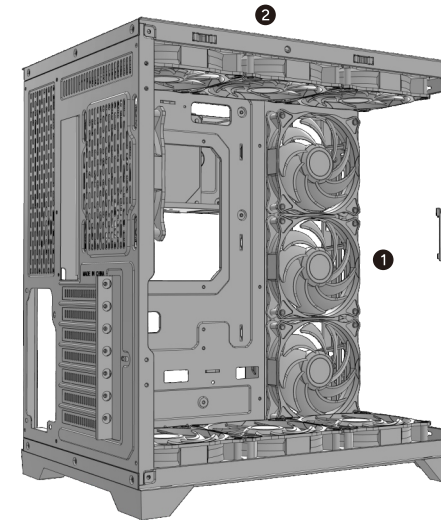
L Fan installation



Fan compatibility

- ① MB tray: 3 x 120mm
- ② Rear: 1 x 120mm
- ③ Top: 3 x 120mm
- ④ Bottom: 3 x 120mm

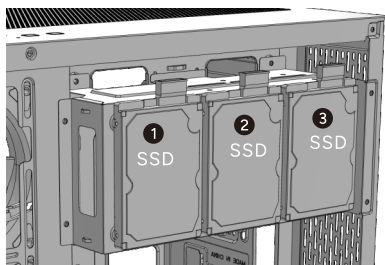
M Water cooling installation



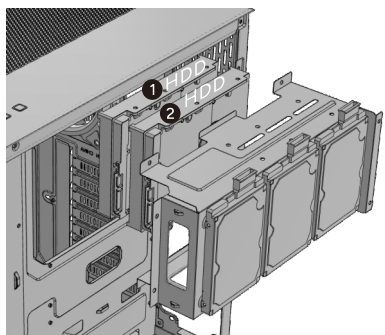
Radiator Support

- ① MB tray: 360mm
- ② Top: 360mm

N SSD/HDD installation



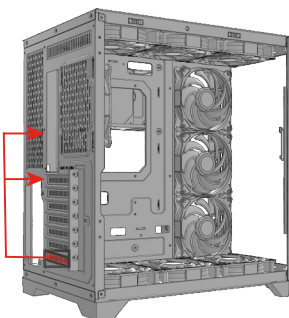
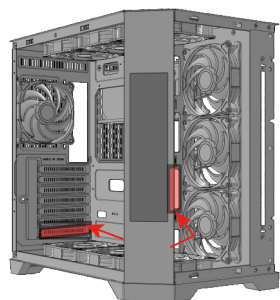
3*SSD



2*HDD

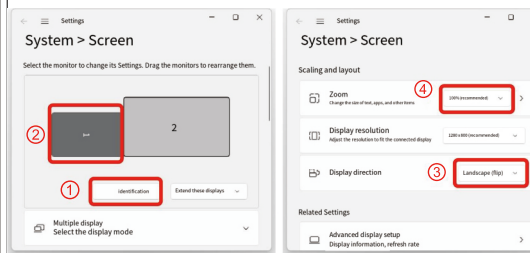
Push the SSD/HDD into the slot, align the screw holes, and lock the screws.

O Connect the LCD display

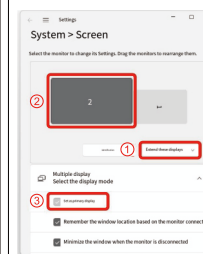
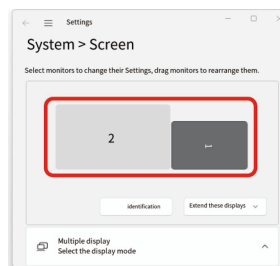


USB Type-A to USB Type-Cx1

1. Secondary screen vertical horizontal display Settings: right-click on the desktop of the main screen, pop up the dish cover, click "Display Settings" and "Logo" to select the icon whose serial number is secondary screen. Slide down the menu to change the "Portrait" to "Landscape (flip)" in the display direction and finally "Retain changes". After the screen landscape display, check the secondary screen zoom Settings, The value must be set to 100%.

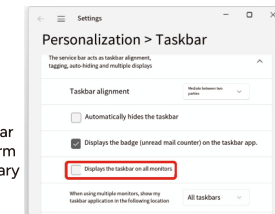


2. Select the secondary screen indicator icon in the Settings menu and drag it around the main screen for positioning, which is usually consistent with the actual position of the primary/secondary screen. Click "Apply" after adjustment.



3. Check other Settings: Multi-monitor mode Select Extend these Monitors and set the home screen to Primary Monitor.

4. Right-click the taskbar at the bottom of the main screen, and choose Taskbar Settings from the displayed menu. Slide down the menu to expand Taskbar Behavior to clear the selection "Show Taskbar on all monitors" option, then confirm that the taskbar under the secondary screen has disappeared.



XYZ
Find out more about us at
www.xyzpcgear.com

