





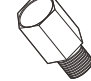


XYZ

Dive into your next dimension

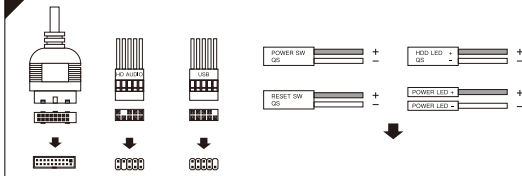
HORIZON

HORIZON 100 ARGB
Instructions manual

A Package details

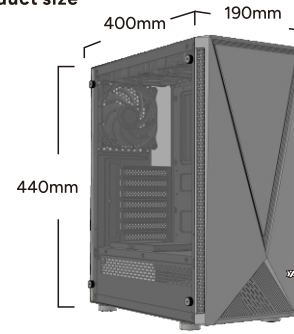
 x 8	 x 6	 x 4
Motherboard screw	The power screw	HDD screws(6#*5)
 x 4	 x 4	 x 4
HDD screws(6-32)	Copper pillar	Hard disk shock pad
 x 5		
Cable Tie		

B Schematic diagram of wire interface



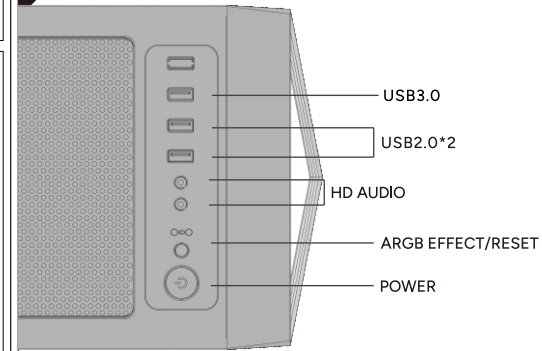
Please refer to the manual that came with your motherboard for any specific connection instructions

C Product size

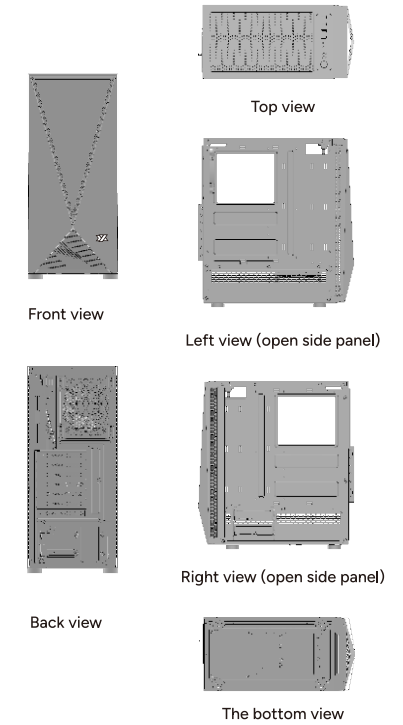


D

IO panel introduction

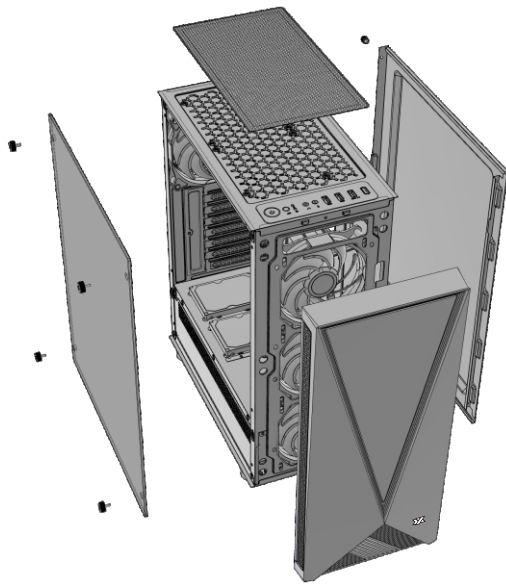


E Machine overview



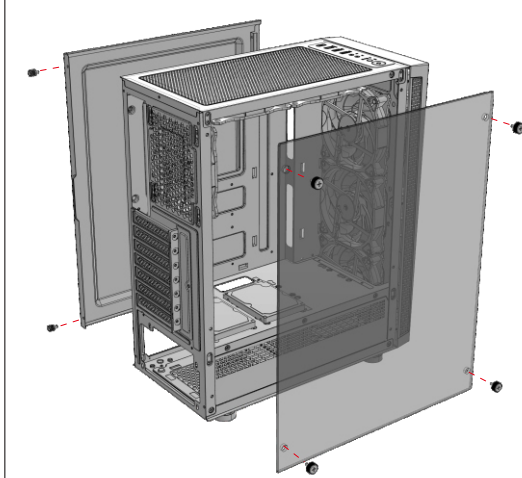
F

Chassis disassembly diagram



G

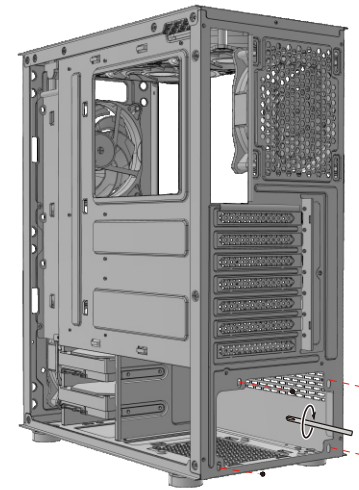
Remove and install side panels



Glass side panel installation:
Fix the glass side panel with 4 screws (as shown above)
Metal side plate installation:
Buckle the side plate and fix it with two screws

H

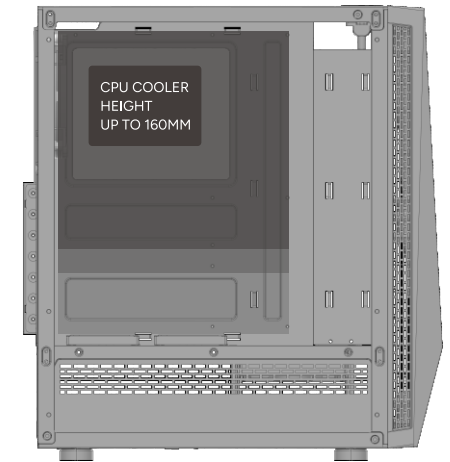
The power supply installation



The power supply can be fixed by aligning the screw in the figure to the hole position
Note: different types of power supply, hole location may be slightly different, take the actual object as the standard

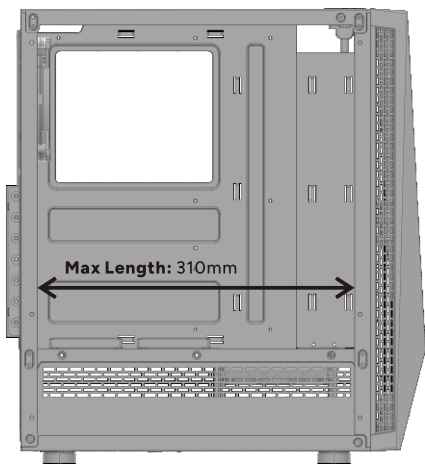
I

Motherboard installation

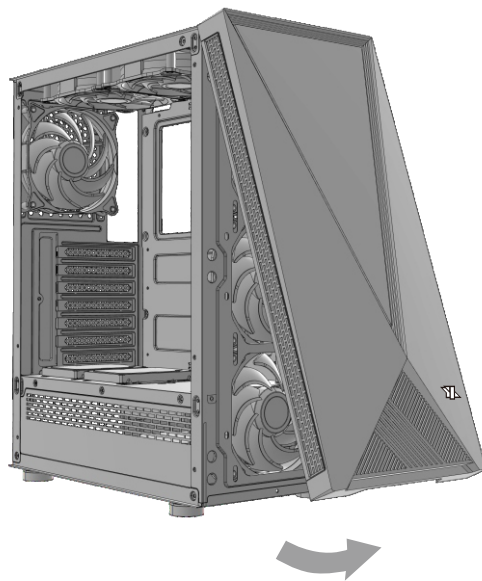


According to the motherboard type (ATX/M-ATX/ITX), the copper pillars may need to be re-arranged manually according to the fixing locations specific to your motherboard
CPU Height limit: 160mm

J The graphics card installation

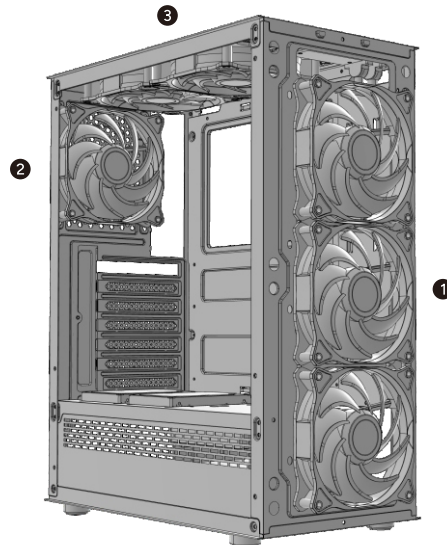


K Panel disassembly



To remove the front panel of the case, pull it by hand, firmly from the bottom of the panel

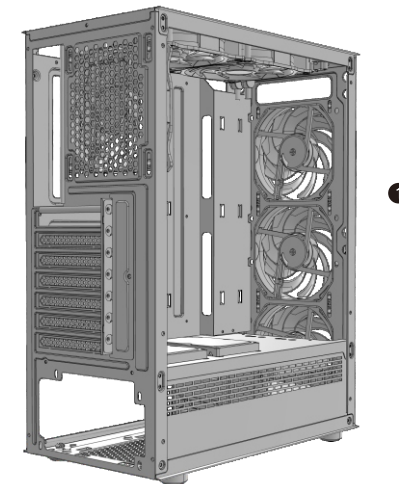
L Fan installation



Fan compatibility

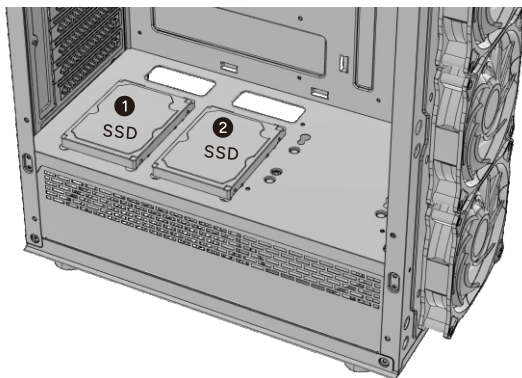
- ① Front: 3 x 120/2 x 140mm
- ② Rear: 1 x 120mm
- ③ Top: 2 x 120mmmm

M Water cooling installation



Radiator Support ① Front: 240mm

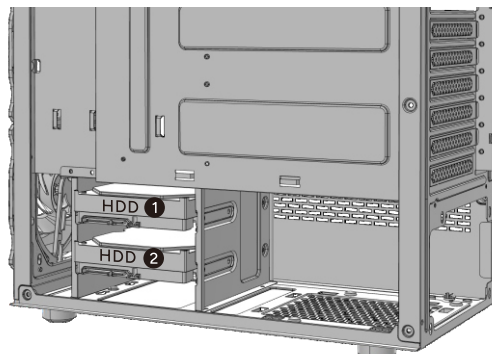
N SSD installation



2*SSD

Align the SSD holes and fix them with screws.

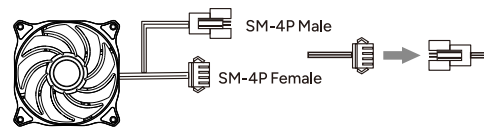
O HDD installation



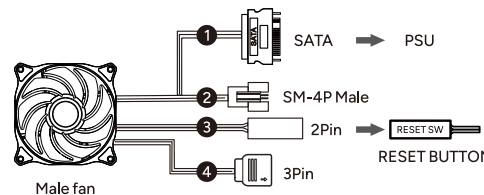
2*HDD

Align the hard disk holes and fix them with HDD screws.

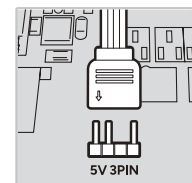
P Fan interface



SM-4P Female connect with SM-4P Male, after connecting of all the Femal+Male until Main fan's Male.



④ 3 Pin Female connect to Motherboard's 5V 3Pin male



XYZ



Find out more about us at www.xyzpcgear.com