





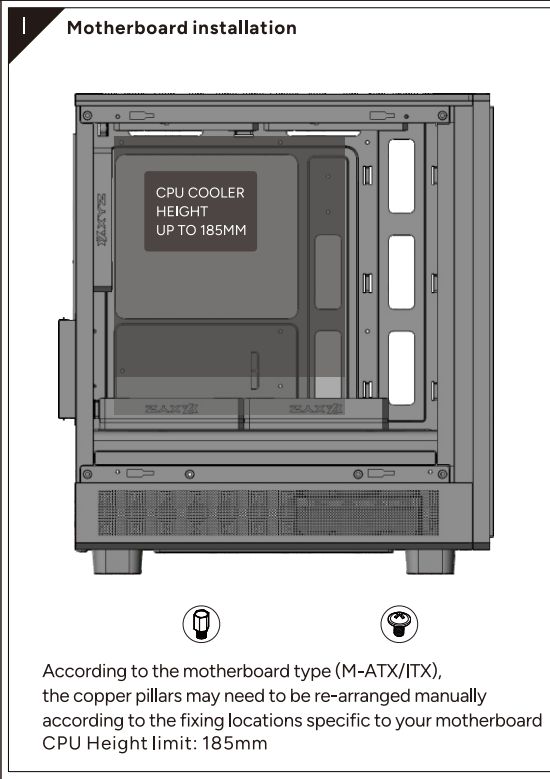
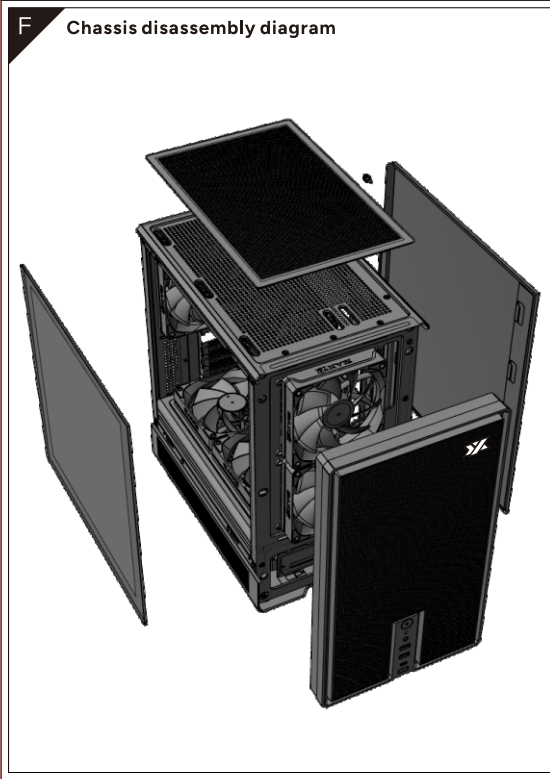
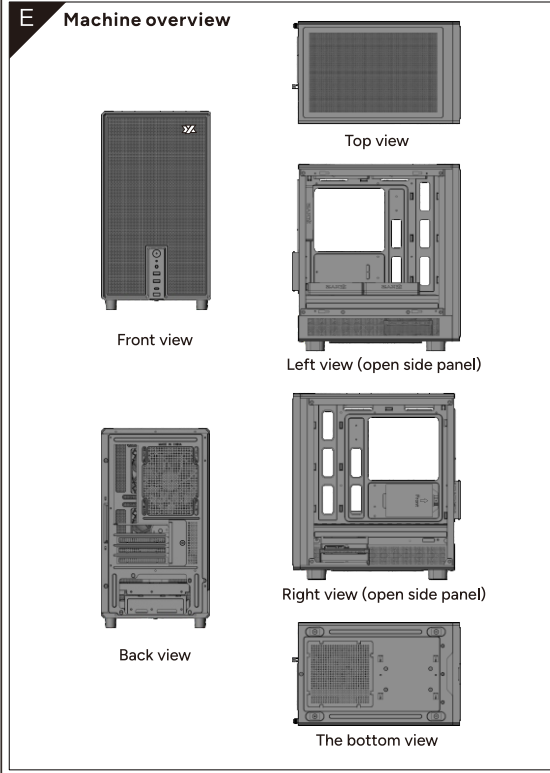
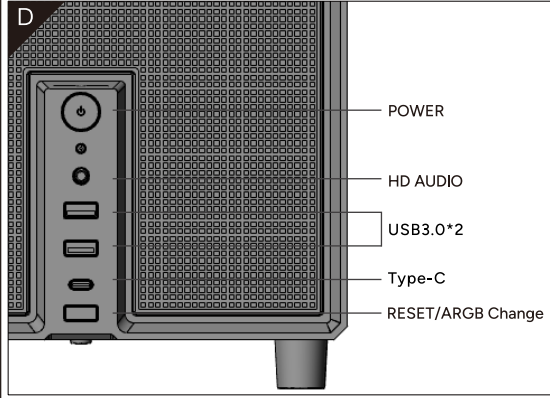
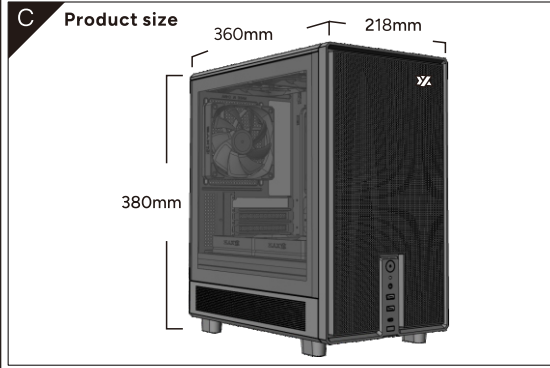
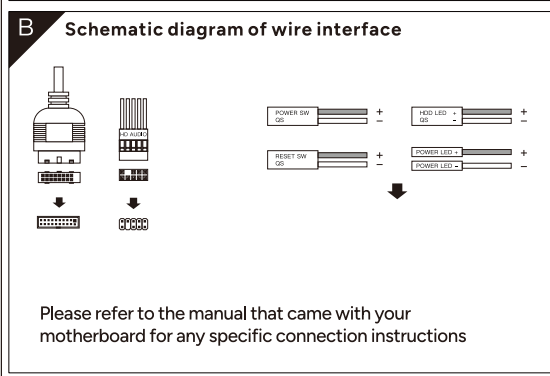


ATOM

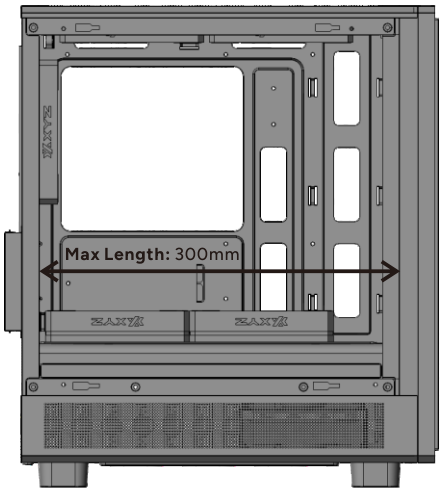
Instructions manual

A Package details

 x19	 x6	 x8
Motherboard screw	The power screw	HDD screw
 x3	 x3	 x5
Copper pillar	Fan screw	Cable Tie



J The graphics card installation



K Panel disassembly



To remove the front panel of the case, pull it by hand, firmly from the bottom of the panel

L Fan installation



Fan compatibility

- ① Front: 2 x 120mm
- ② Rear: 1 x 120mm
- ③ Top: 2x120/140mm
- ④ PSU cover: 2 x 120mm

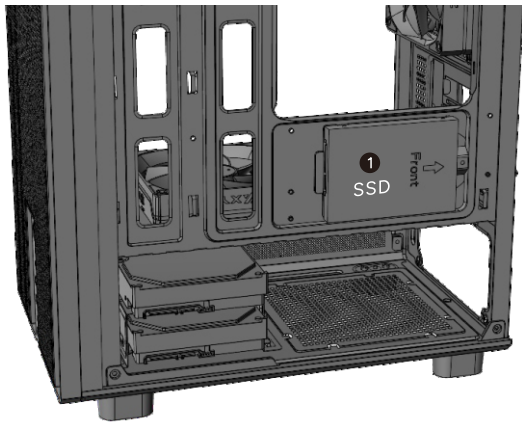
M Water cooling installation



Radiator Support

- ① Top: 240mm
- ② Rear: 120mm

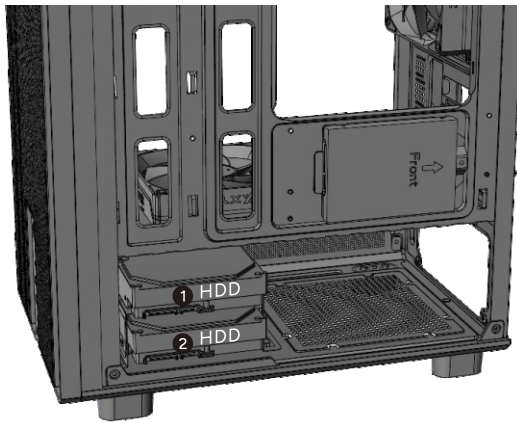
N SSD installation



2*SSD

Align the SSD holes and fix them with screws.

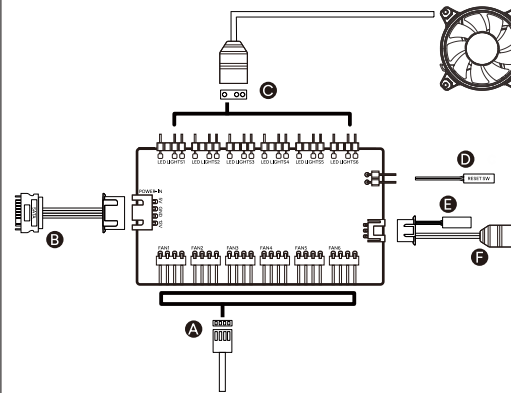
O HDD installation



2*HDD

Align the hard disk holes and fix them with HDD screws.

P PWM function + ARGB controller user instruction



- Ⓐ Connected with 3 pcs small PWM 4PIN.
 - Ⓑ SATA power connector (PSU).
 - Ⓒ Interface for 5V3PIN LED wire, support 6pcs FANS.
 - Ⓓ Can switch to the computer reset button.
 - Ⓔ PWM speed adjusting line.
 - Ⓕ Universal link to motherboard 5V 3pin connector.
- To use this feature, hold down the reset key for 5 seconds.

XYZ



Find out more about us at www.xyzpcgear.com