







XYZ

Dive into your next dimension

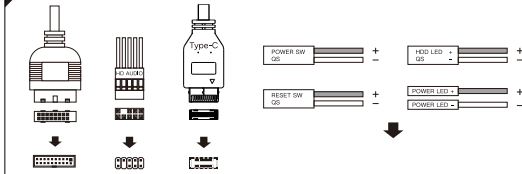
AIRWAVE X

Instructions manual

A Package details

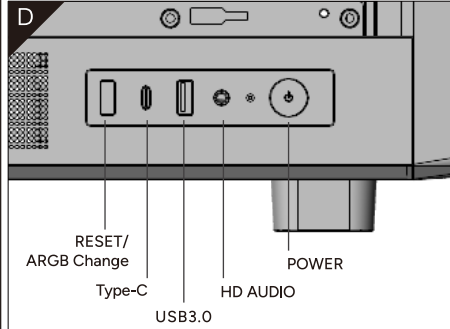
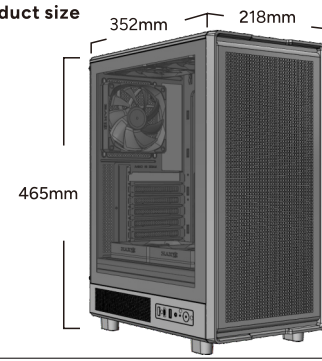
 x 21	 x 21	 x 8
Motherboard screw	The power screw	HDD screw
 x 3	 x 8	 x 5
Copper pillar	Fan screw	Cable Tie

B Schematic diagram of wire interface



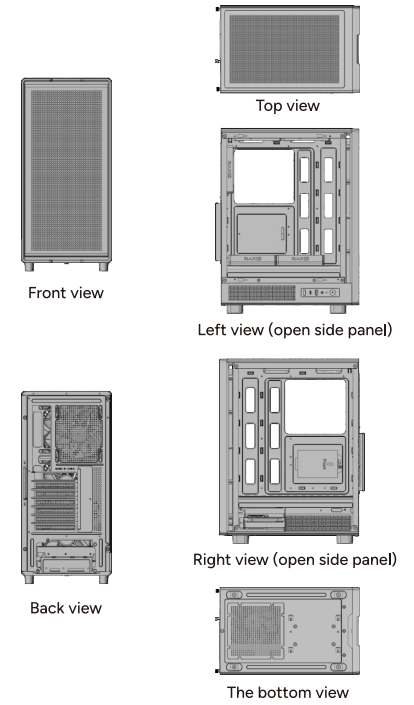
Please refer to the manual that came with your motherboard for any specific connection instructions

C Product size

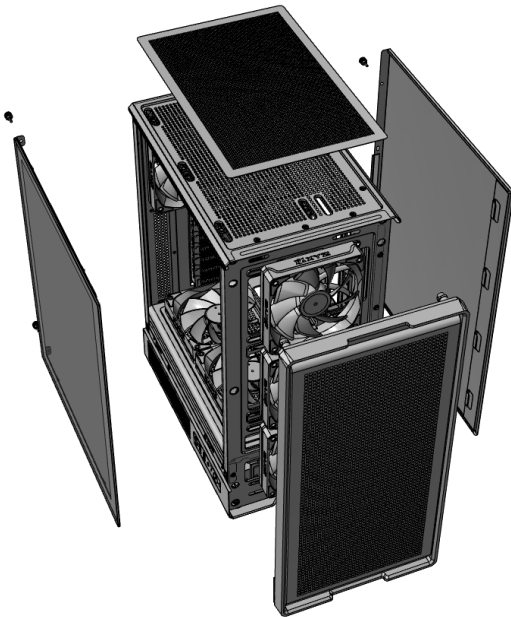


IO panel introduction

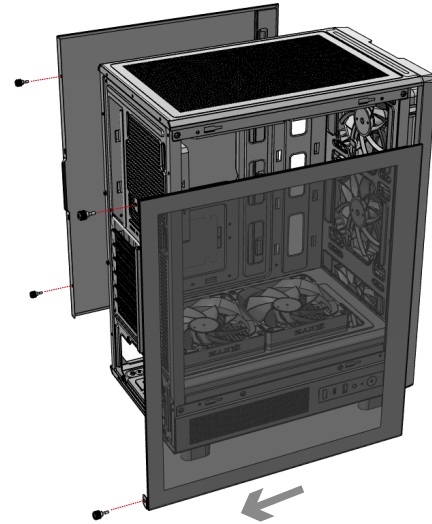
E Machine overview



F Chassis disassembly diagram

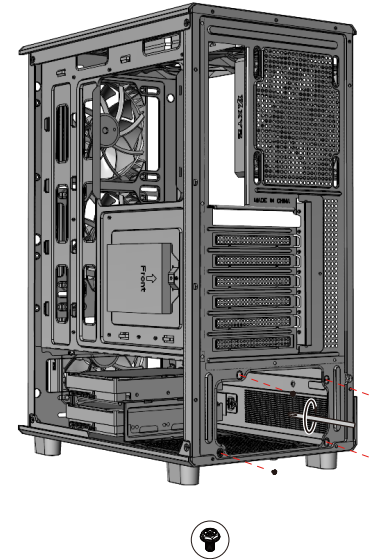


G Remove and install side panels



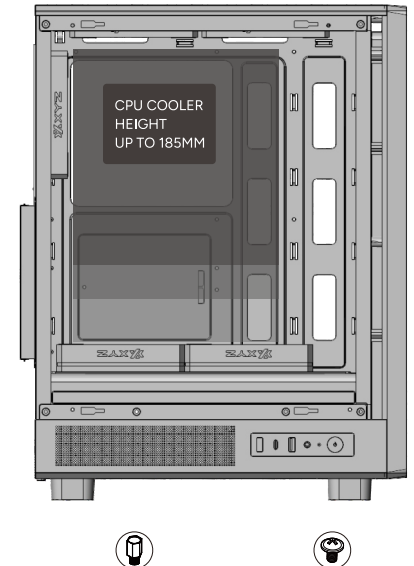
Remove the glass side panel: Slide the glass side panel backward.
Remove the iron side plate: remove the two screws at the rear.

H The power supply installation



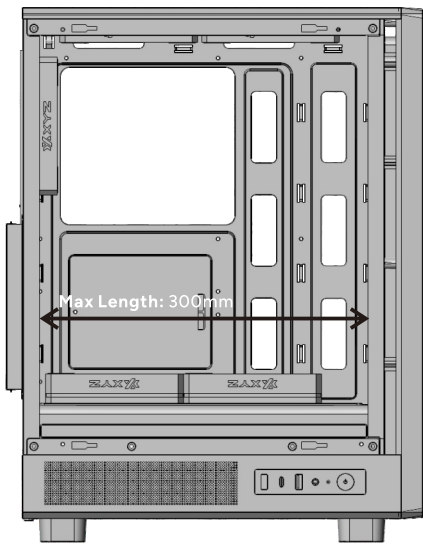
The power supply can be fixed by aligning the screw in the figure to the hole position
Note: different types of power supply, hole location may be slightly different, take the actual object as the standard

I Motherboard installation



According to the motherboard type (ATX/M-ATX/ITX), the copper pillars may need to be re-arranged manually according to the fixing locations specific to your motherboard
CPU Height limit: 185mm

J The graphics card installation

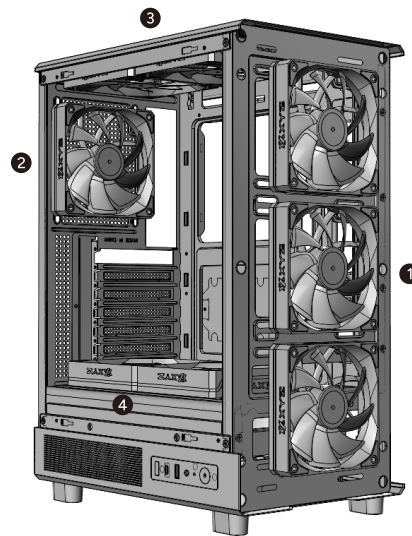


K Panel



To remove the front panel of the case, pull it by hand, firmly from the bottom of the panel

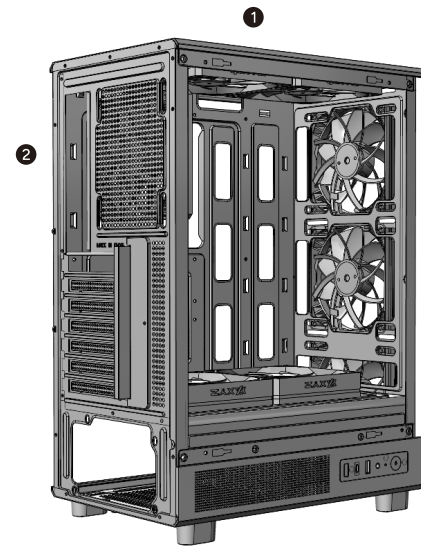
L Fan installation



Fan compatibility

- ① Front: 3 x 120/140mm
- ② Rear: 1 x 120mm
- ③ Top: 3 x 120mm
- ④ Bottom: 2 x 120mm

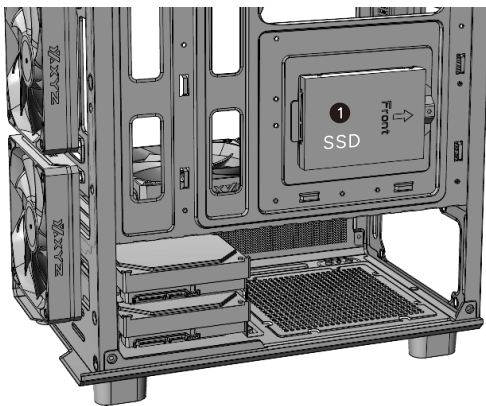
M Water cooling installation



Radiator Support

- ① Top: 240mm
- ② Rear: 120mm

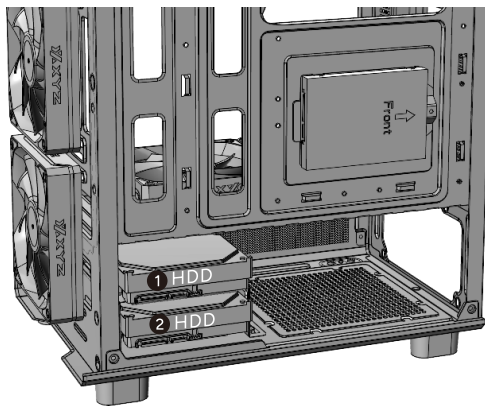
N SSD installation



1*SSD

Align the SSD holes and fix them with screws.

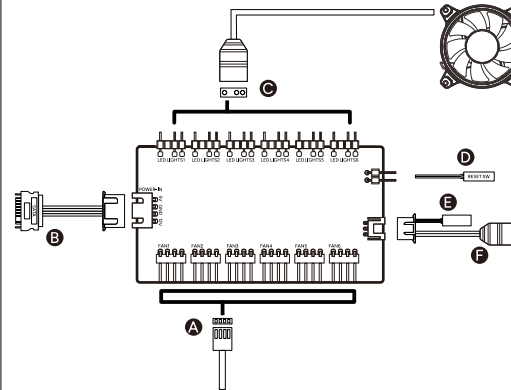
O HDD installation



2*HDD

Align the hard disk holes and fix them with HDD screws.

P PWM function + ARGB controller user instruction



- Ⓐ Connected with 3 pcs small PWM 4PIN.
 - Ⓑ SATA power connector (PSU).
 - Ⓒ Interface for 5V3PIN LED wire, support 6pcs FANs.
 - Ⓓ Can switch to the computer reset button.
 - Ⓔ PWM speed adjusting line.
 - Ⓕ Universal link to motherboard 5V 3pin connector.
- To use this feature, hold down the reset key for 5 seconds.

XYZ



Find out more about us at www.xyzpcgear.com