



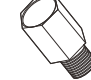
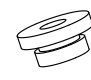

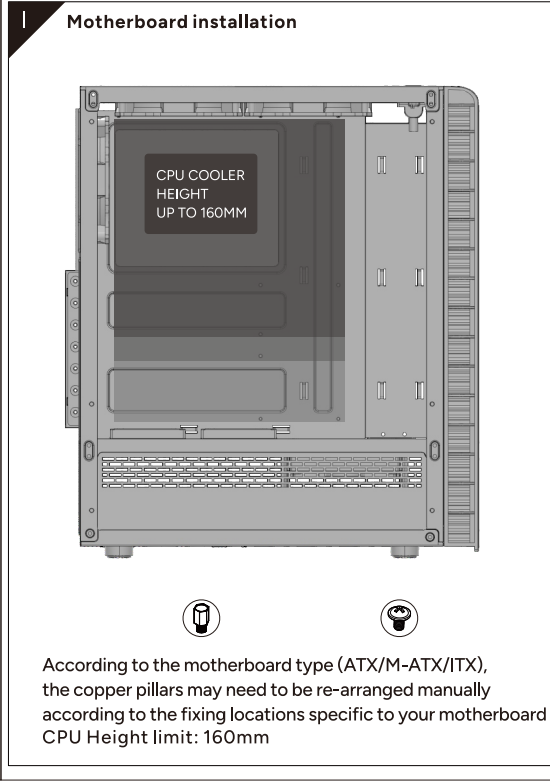
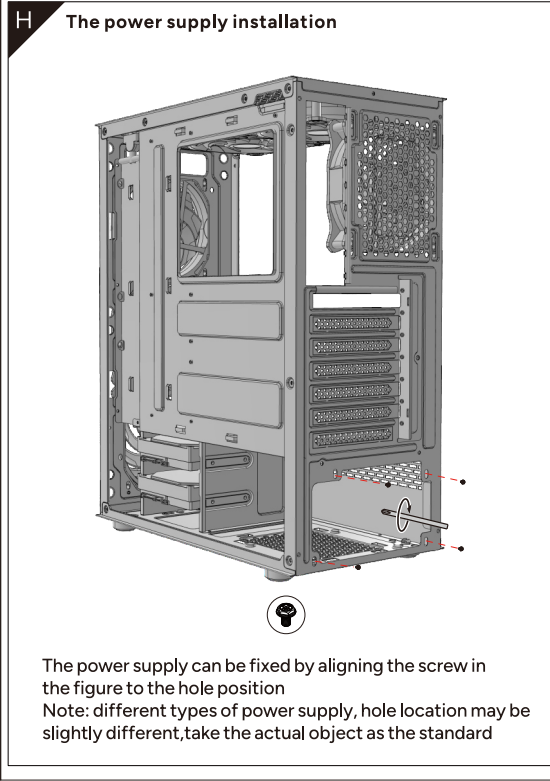
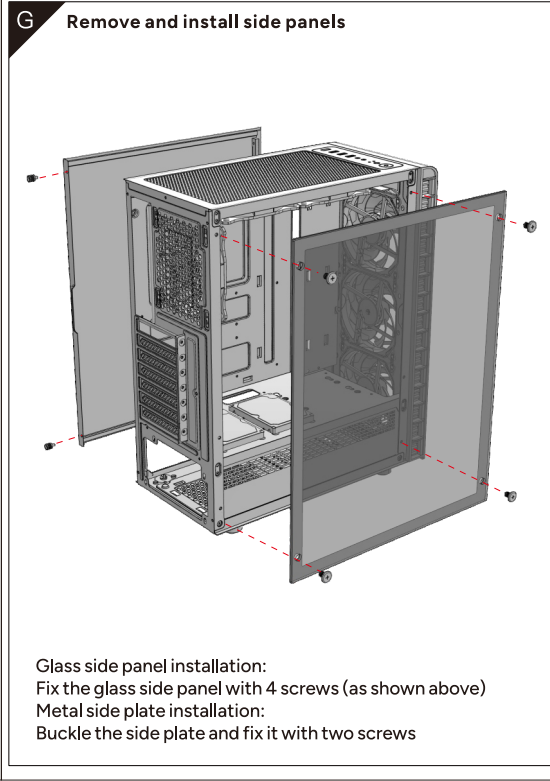
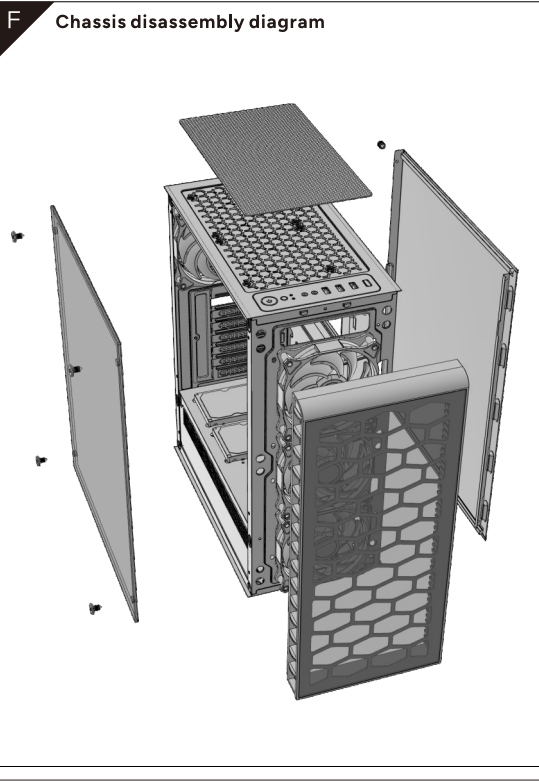
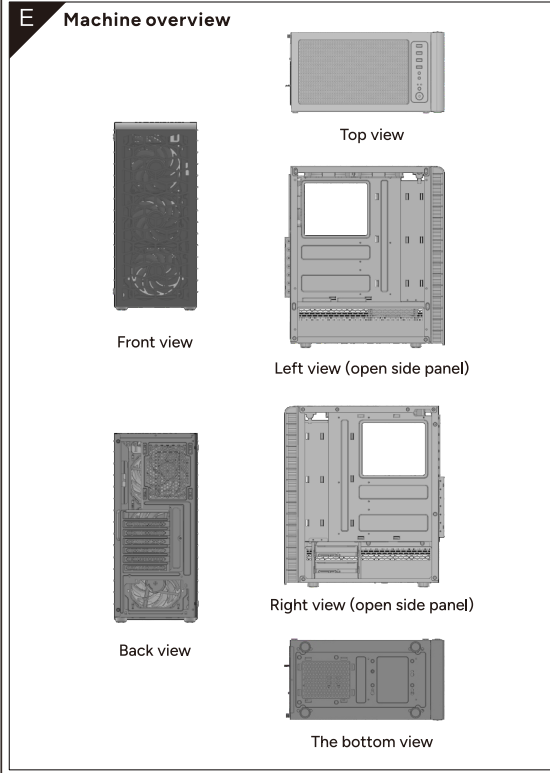
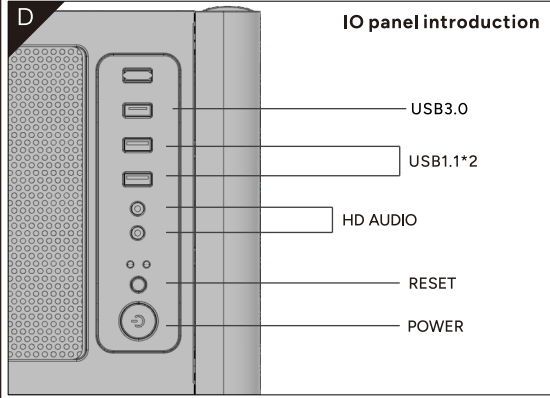
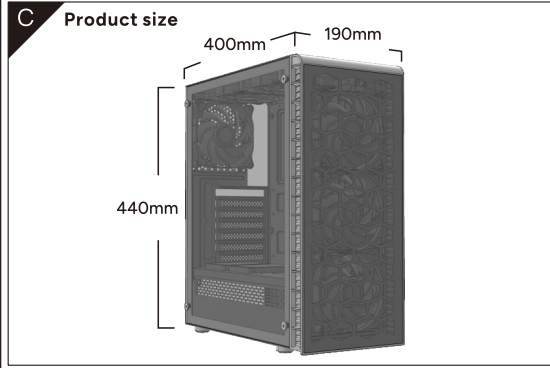
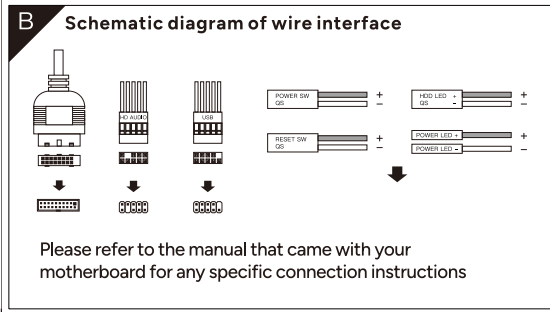


AIRONE

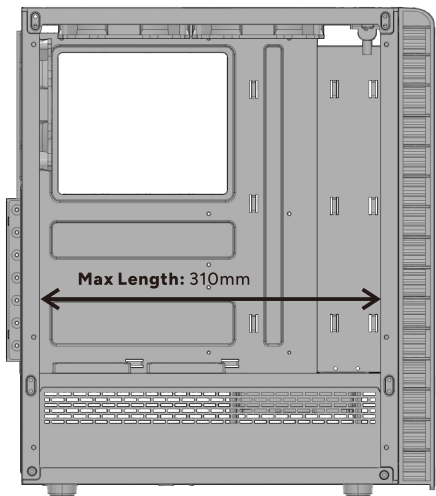
AIRONE 300 GLASS
Instructions manual

A Package details

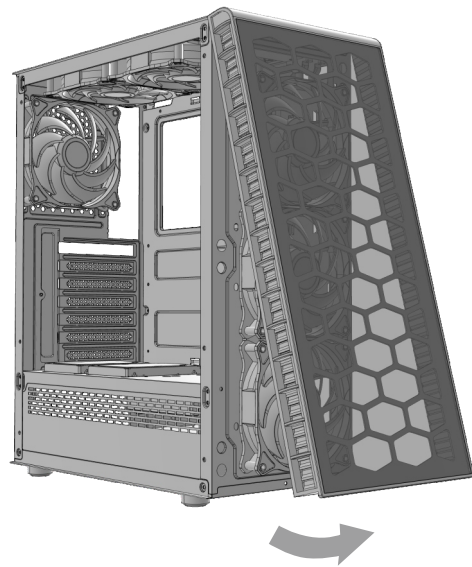
 x 8	 x 6	 x 4
Motherboard screw	The power screw	HDD screws(6#*5)
 x 4	 x 4	 x 4
HDD screws(6-32)	Copper pillar	Hard disk shock pad
 x 5		
Cable Tie		



J The graphics card installation

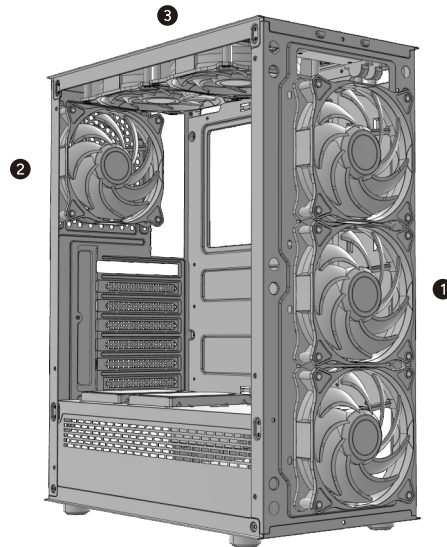


K Panel disassembly



To remove the front panel of the case, pull it by hand, firmly from the bottom of the panel

L Fan installation



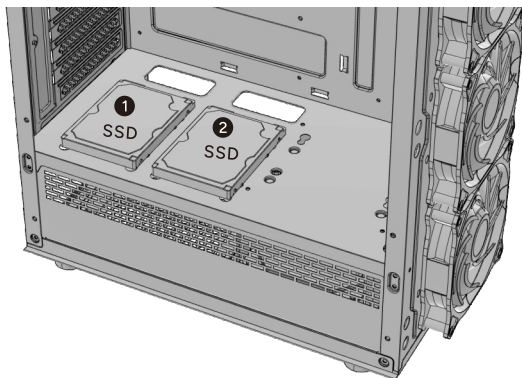
Fan compatibility ① Front: 3 x 120/2 x 140mm
② Rear: 1 x 120mm
③ Top: 2 x 120mm

M Water cooling installation



Radiator Support ① Front: 240mm

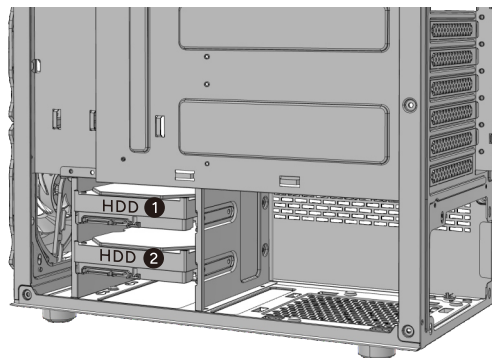
N SSD installation



2*SSD

Align the SSD holes and fix them with screws.

O HDD installation



2*HDD

Align the hard disk holes and fix them with HDD screws.

XYZ



Find out more about us at
www.xyzpcgear.com