








Dive into your next dimension

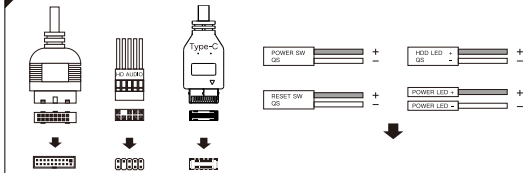
# AIRONE

AIRONE 200 X Mesh  
Instructions manual

## A Package details

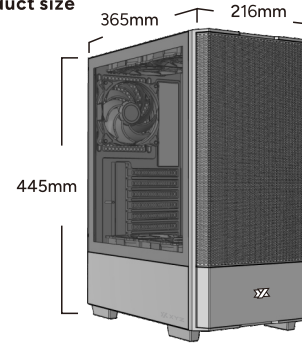
 x23	 x7	 x8
 x3	 x6	
Motherboard screw	The power screw	HDD screw
Copper pillar	Cable Tie	

## B Schematic diagram of wire interface

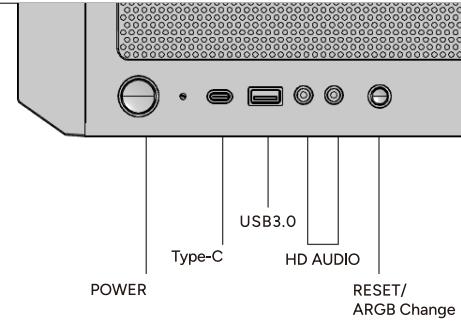


Please refer to the manual that came with your motherboard for any specific connection instructions

## C Product size

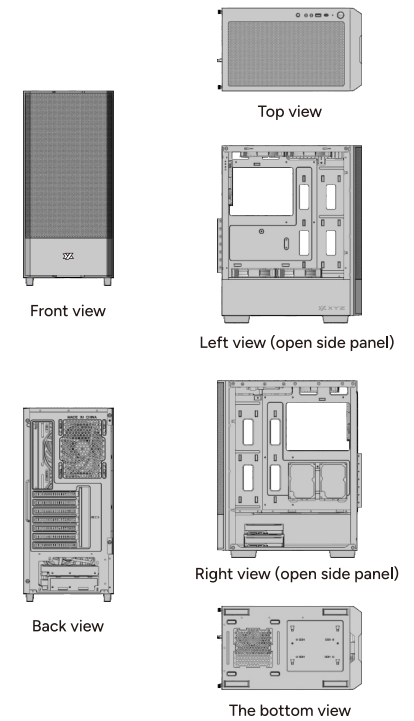


## D



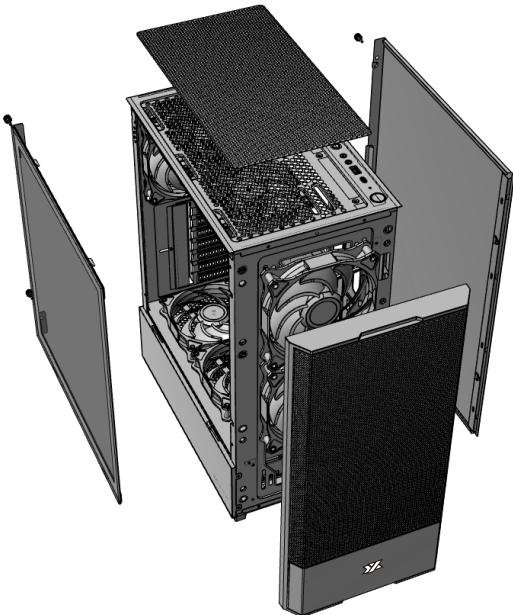
IO panel introduction

## E Machine overview



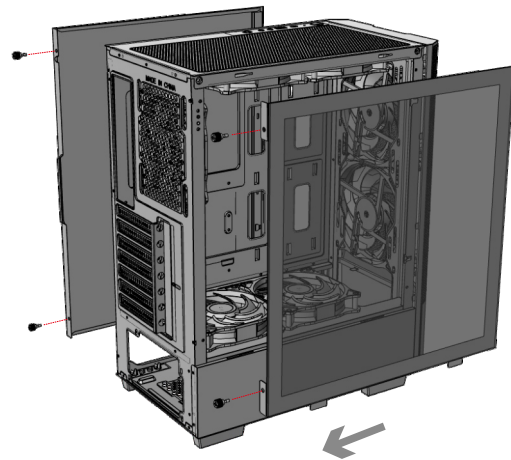
## F

### Chassis disassembly diagram



## G

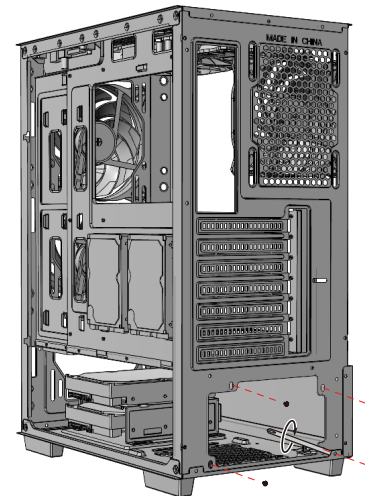
### Remove and install side panels



Remove the glass side panel: Slide the glass side panel backward.  
Remove the iron side plate: remove the two screws at the rear.

## H

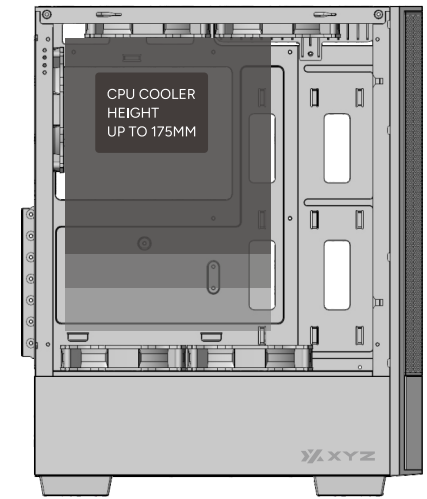
### The power supply installation



The power supply can be fixed by aligning the screw in the figure to the hole position  
Note: different types of power supply, hole location may be slightly different, take the actual object as the standard

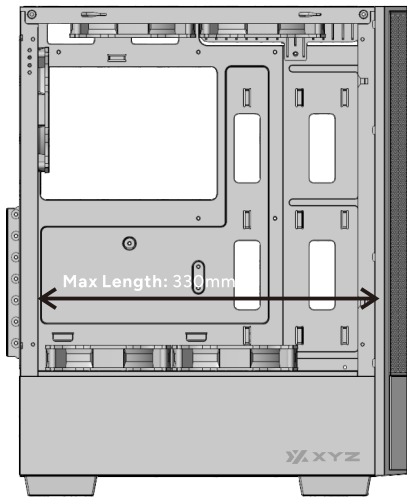
## I

### Motherboard installation

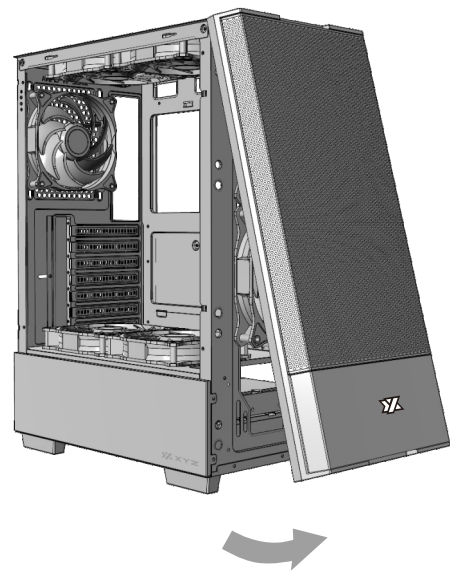


According to the motherboard type (ATX/M-ATX/ITX), the copper pillars may need to be re-arranged manually according to the fixing locations specific to your motherboard  
CPU Height limit: 175mm

### J The graphics card installation

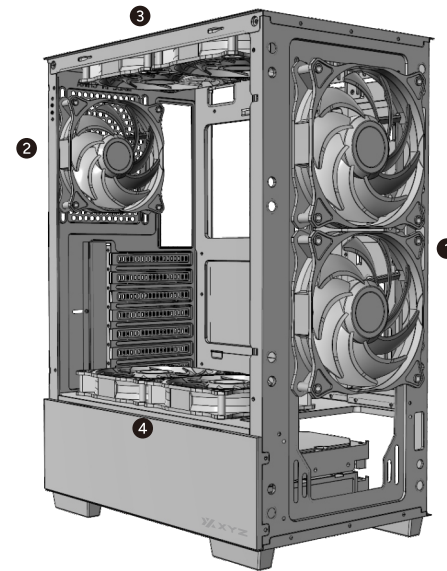


### K Panel



To remove the front panel of the case, pull it by hand, firmly from the bottom of the panel

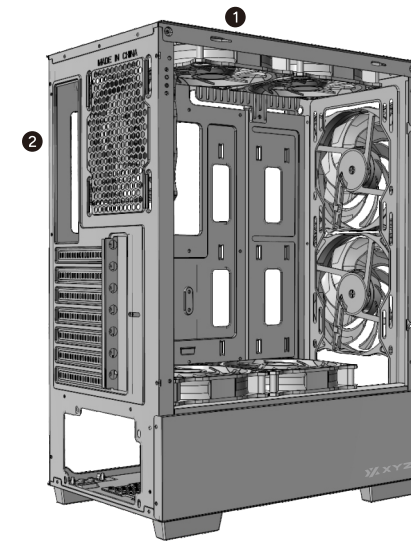
### L Fan installation



**Fan compatibility**

- ① Front: 3 x 120/2 x 140mm
- ② Rear: 1 x 120mm
- ③ Top: 2 x 120/140mm
- ④ PSU cover: 2 x 120mm

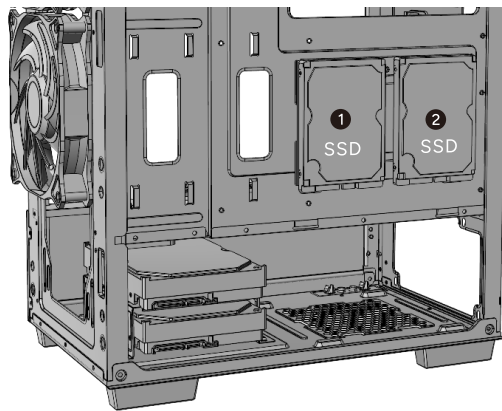
### M Water cooling installation



**Radiator Support**

- ① Top: 240/280mm
- ② Rear: 120mm

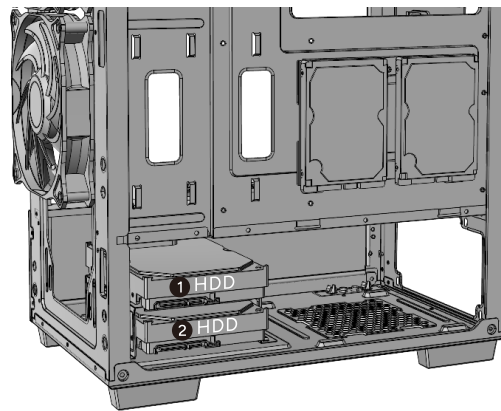
### N SSD installation



2\*SSD

Align the SSD holes and fix them with screws.

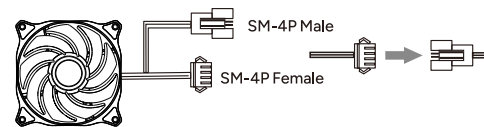
### O HDD installation



2\*HDD

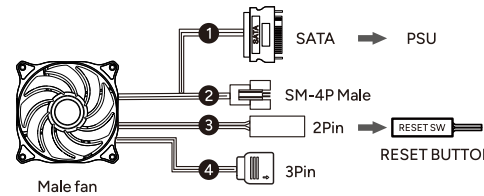
Align the hard disk holes and fix them with HDD screws.

### P Fan interface

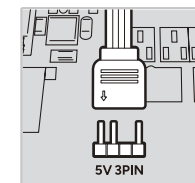


Auxiliary fan(3Pcs)

SM-4P Female connect with SM-4P Male, after connecting of all the Femal+Male until Main fan's Male.



④ 3 Pin Female connect to Motherboard's 5V 3Pin male



Find out more about us at [www.xyzpcgear.com](http://www.xyzpcgear.com)