


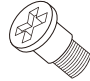



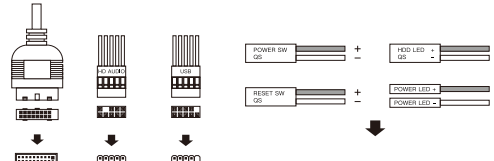
AIRONE

AIRONE 200 MESH
Instructions manual

A Package details

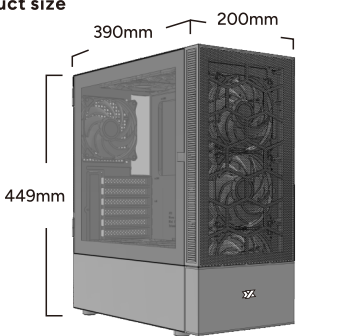
 x14	 x8	 x8
 x2	 x3	
Motherboard screw	The power screw	HDD screw
Hard disk slidaway screws	Copper pillar	

B Schematic diagram of wire interface

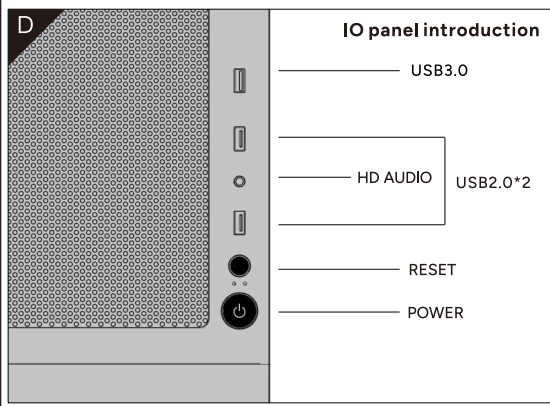


Please refer to the manual that came with your motherboard for any specific connection instructions

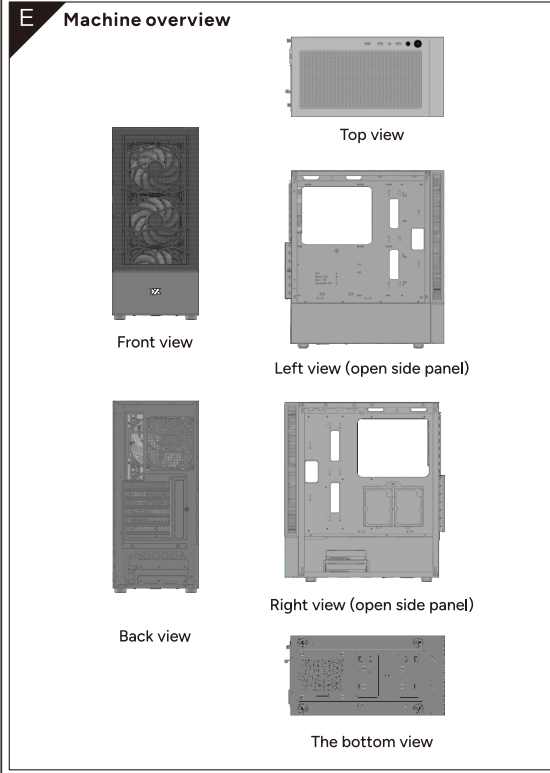
C Product size



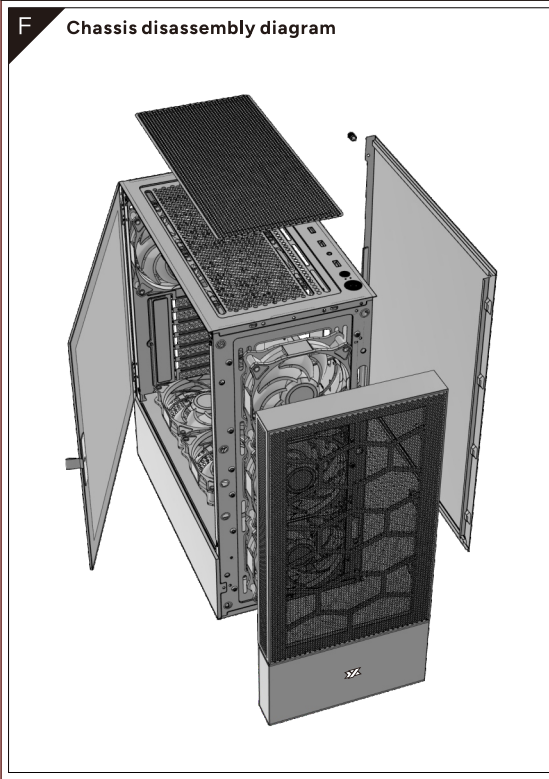
D IO panel introduction



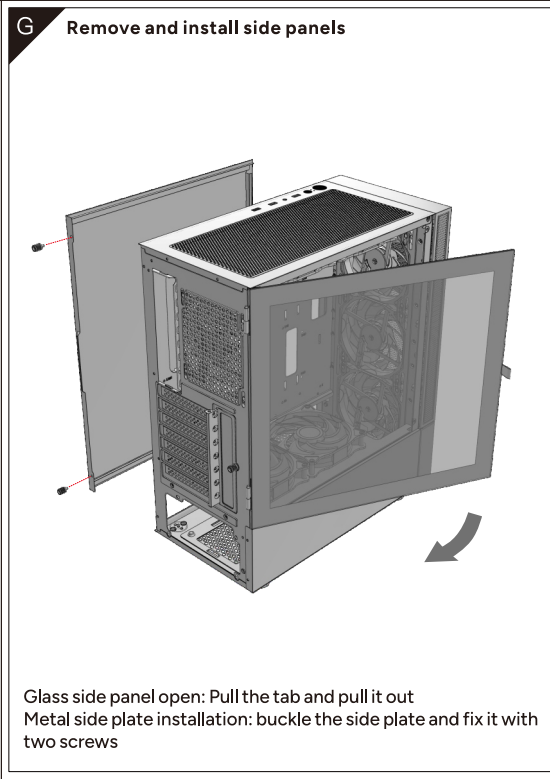
E Machine overview



F Chassis disassembly diagram

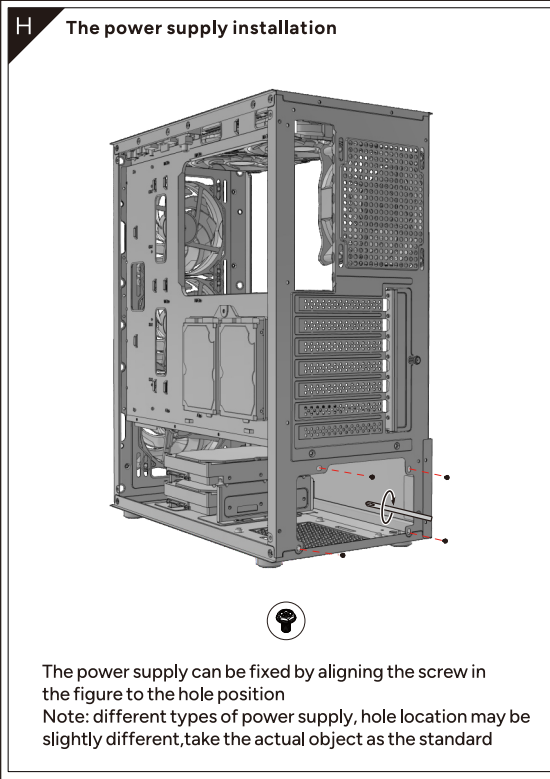


G Remove and install side panels



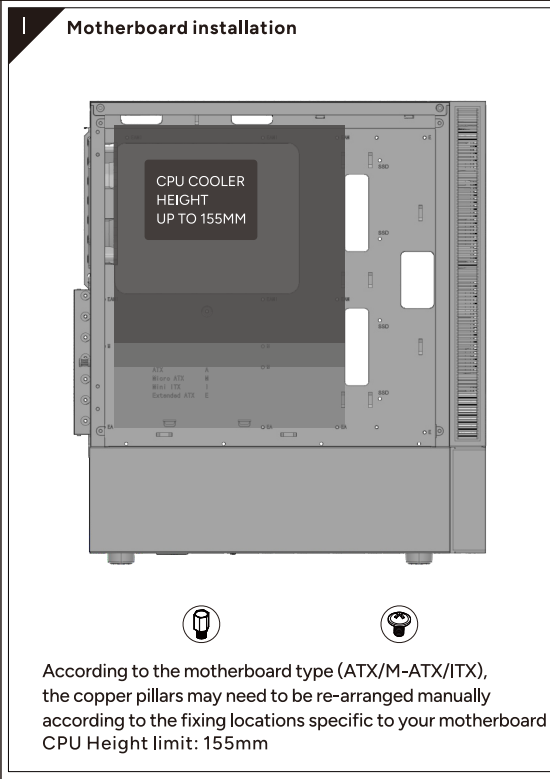
Glass side panel open: Pull the tab and pull it out
Metal side plate installation: buckle the side plate and fix it with two screws

H The power supply installation



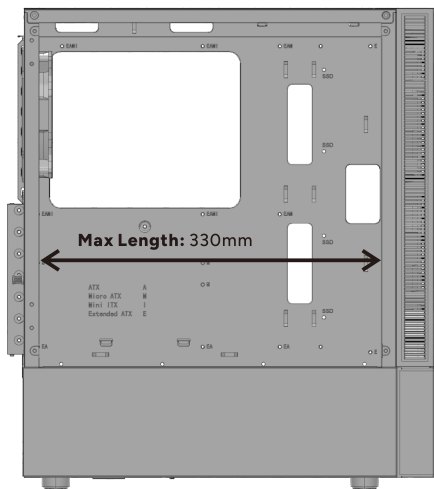
The power supply can be fixed by aligning the screw in the figure to the hole position
Note: different types of power supply, hole location may be slightly different, take the actual object as the standard

I Motherboard installation

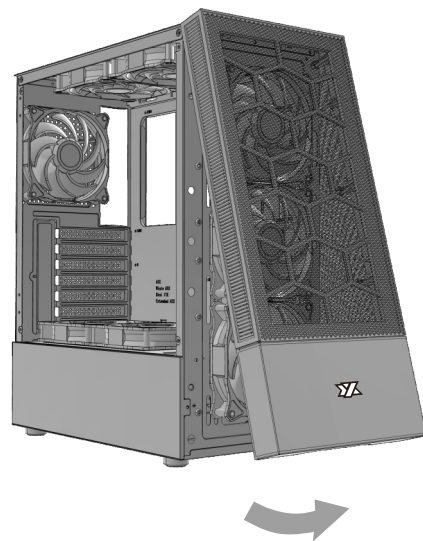


According to the motherboard type (ATX/M-ATX/ITX), the copper pillars may need to be re-arranged manually according to the fixing locations specific to your motherboard
CPU Height limit: 155mm

J The graphics card installation

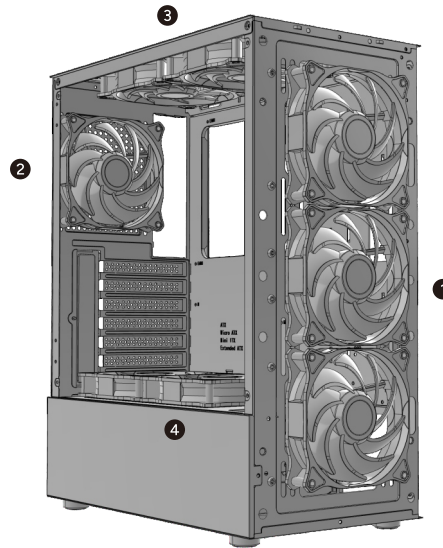


K Panel disassembly



To remove the front panel of the case, pull it by hand, firmly from the bottom of the panel

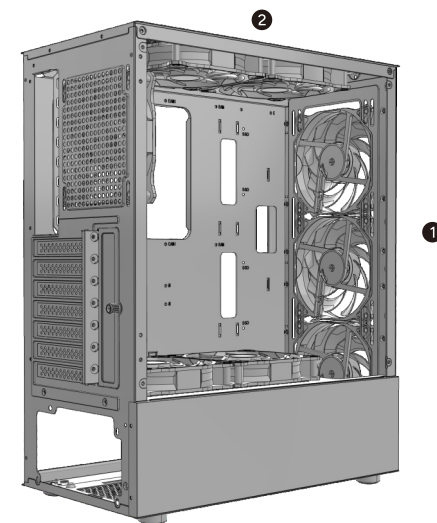
L Fan installation



Fan compatibility

- ① Front: 3 x 120/140mm
- ② Rear: 1 x 120mm
- ③ Top: 2 x 120mm/2 x 140mm
- ④ Bottom: 2 x 120mm

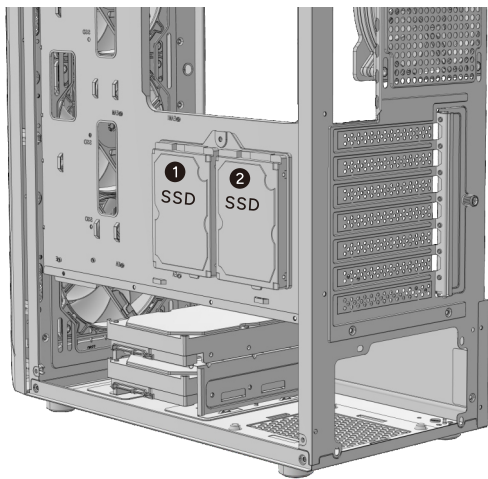
M Water cooling installation



Radiator Support

- ① Front: 240/280/360mm
- ② Rear: 120mm

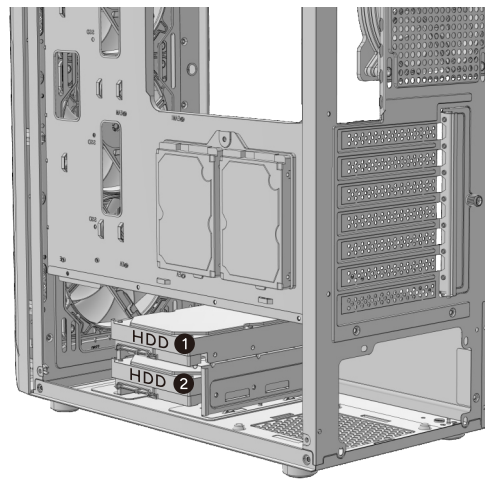
N SSD installation



2*SSD

First fix the hole position with the hard disk cushioning pad, then fix it with SSD screws.

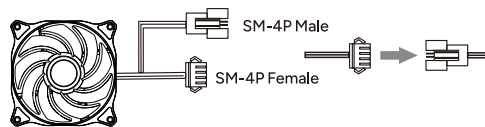
O HDD installation



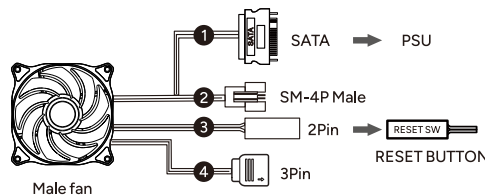
2*HDD

- ① Remove the hard disk rack and secure the hard disk with screws.
- ② Lock the two slide rail screws on the left side of the HDD, slide them into the hard disk rack, and secure the right side of the hard disk with screws.

P Fan interface



SM-4P Female connect with SM-4P Male, after connecting of all the Femal+Male until Main fan's Male.



- ④ 3 Pin Female connect to Motherboard's 5V 3Pin male



Find out more about us at www.xyzpcgear.com