








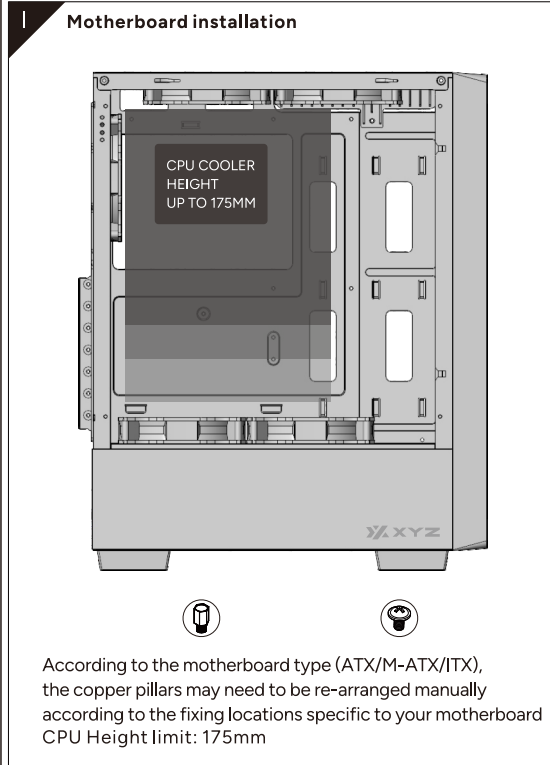
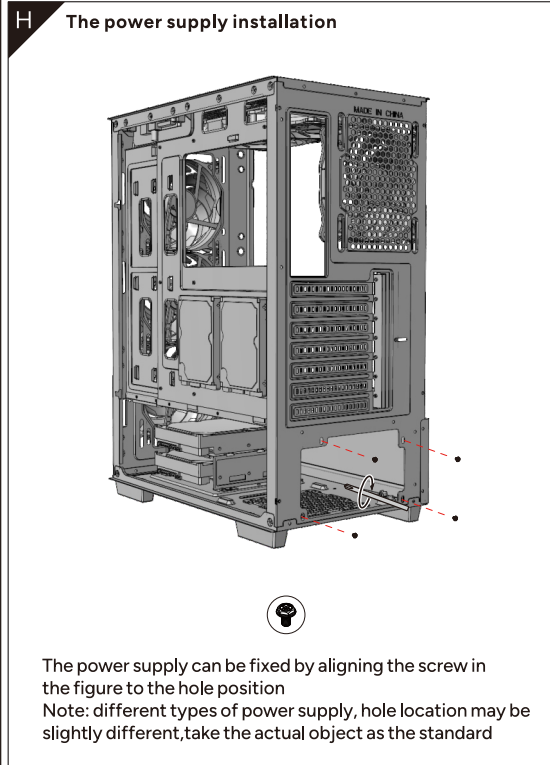
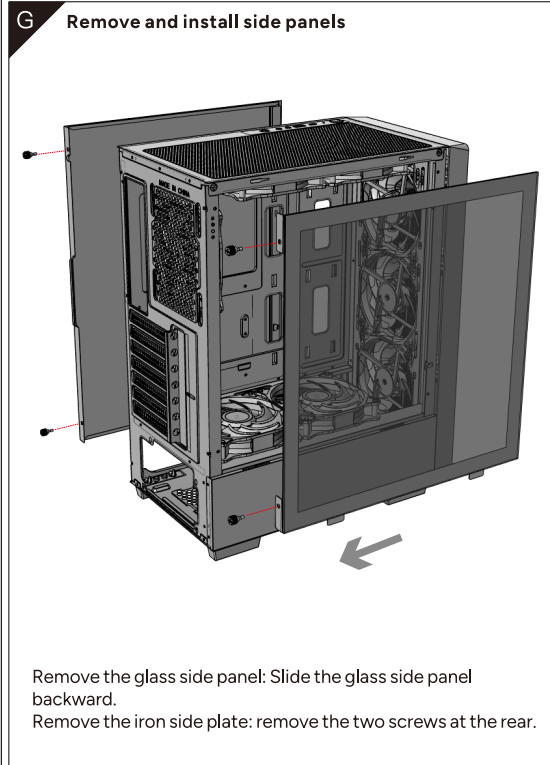
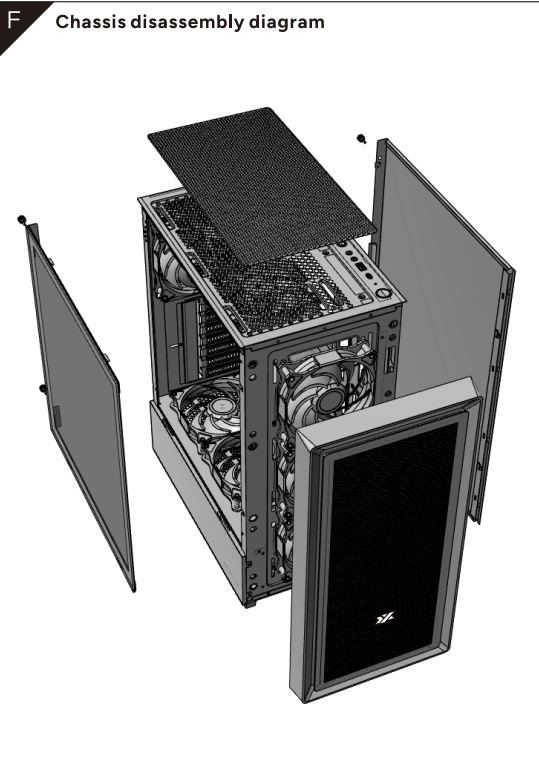
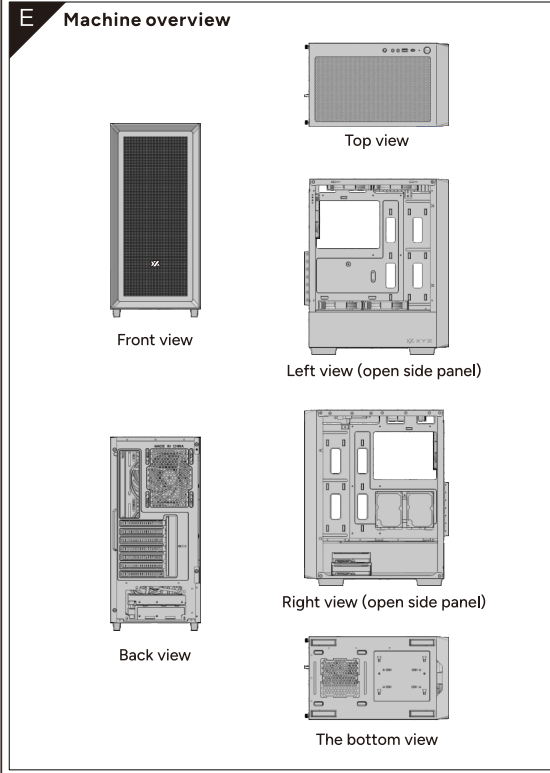
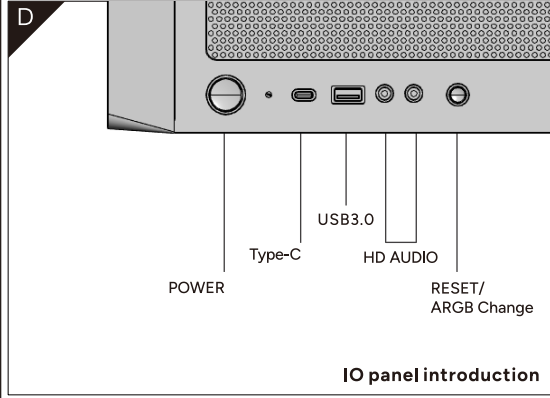
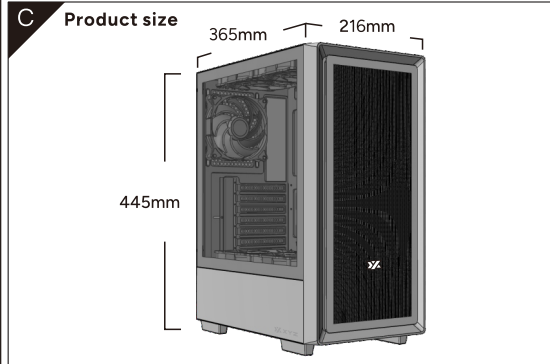
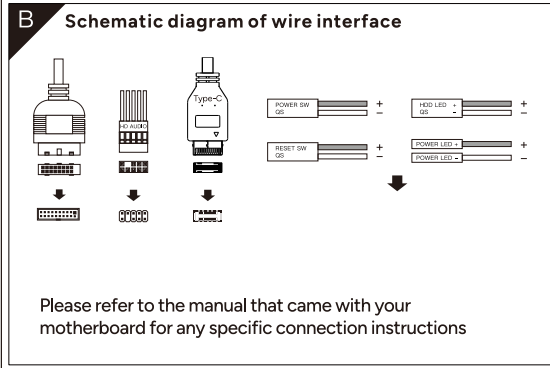
Dive into your next dimension

AIRONE

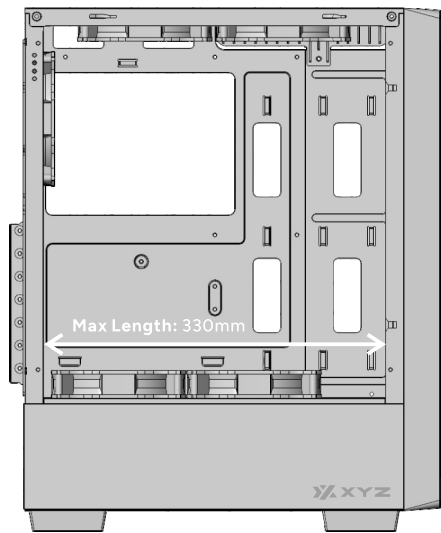
AIRONE 100 X Mesh
Instructions manual

A Package details

 x23	 x7	 x8
Motherboard screw	The power screw	HDD screw
 x3	 x6	
Copper pillar	Cable Tie	

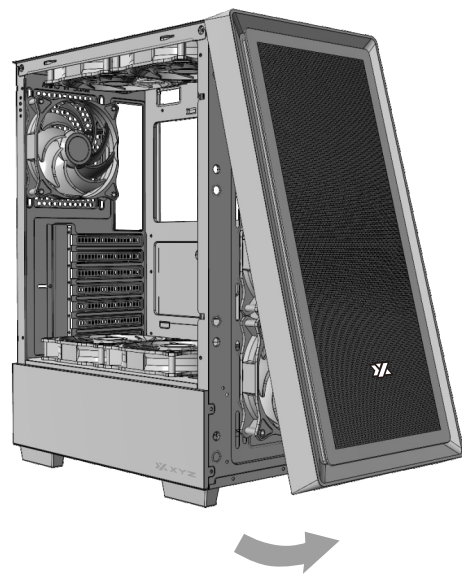


J The graphics card installation



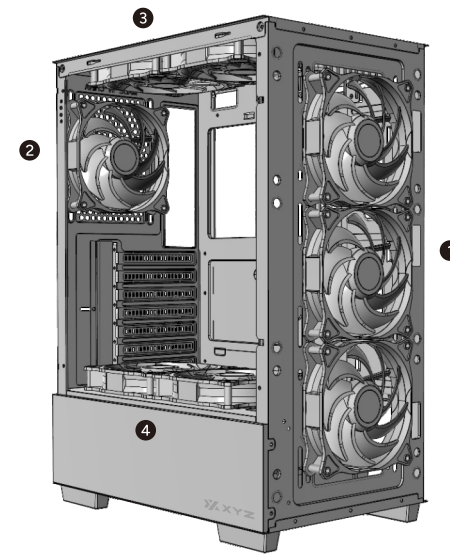
Max Length: 330mm

K Panel



To remove the front panel of the case, pull it by hand, firmly from the bottom of the panel

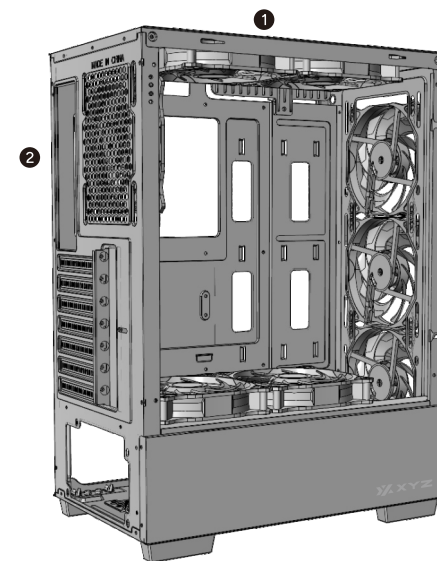
L Fan installation



Fan compatibility

- ① Front: 3 x 120/2 x 140mm
- ② Rear: 1 x 120mm
- ③ Top: 2 x 120/140mm
- ④ PSU cover: 2 x 120mm

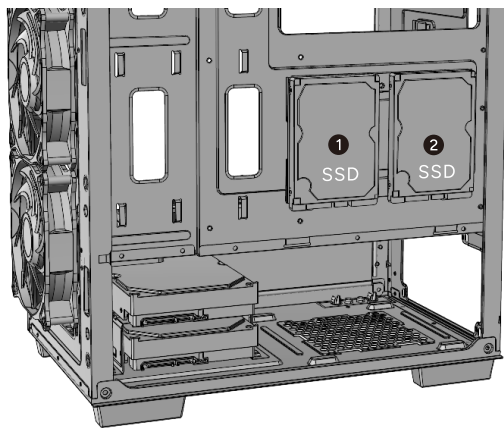
M Water cooling installation



Radiator Support

- ① Top: 240/280mm
- ② Rear: 120mm

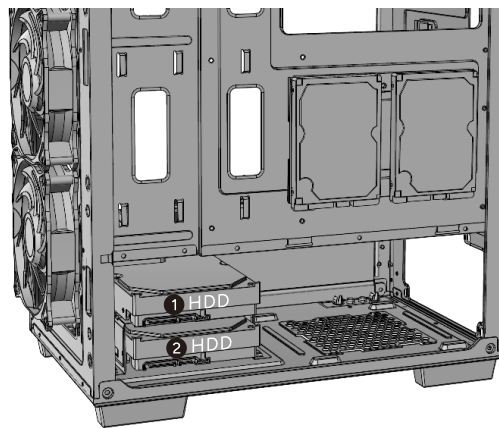
N SSD installation



2*SSD

Align the SSD holes and fix them with screws.

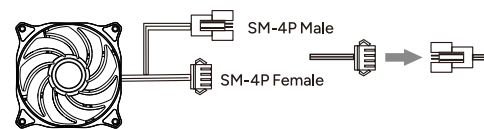
O HDD installation



2*HDD

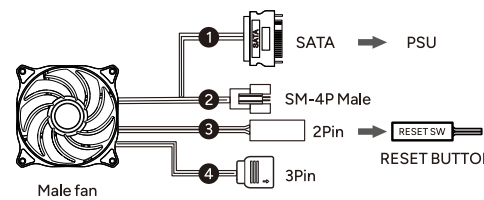
Align the hard disk holes and fix them with HDD screws.

P Fan interface



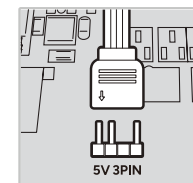
Auxiliary fan(3Pcs)

SM-4P Female connect with SM-4P Male, after connecting of all the Femal+Male until Main fan's Male.



Male fan

④ 3 Pin Female connect to Motherboard's 5V 3Pin male



Find out more about us at www.xyzpcgear.com