




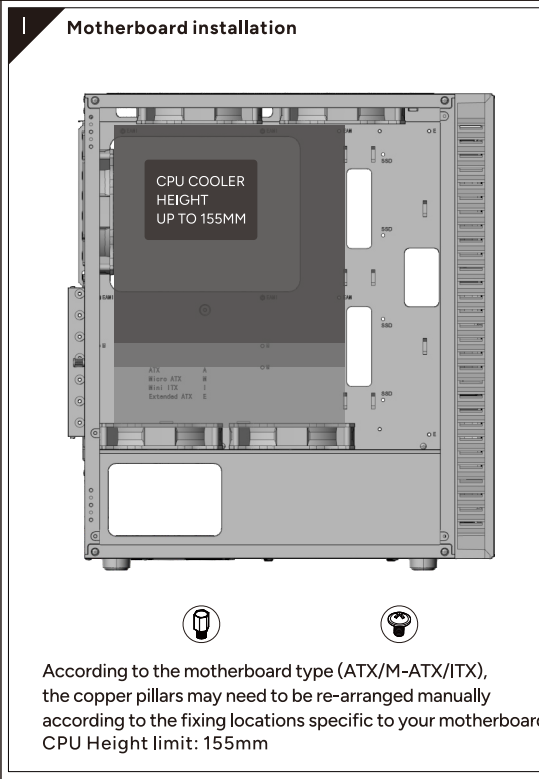
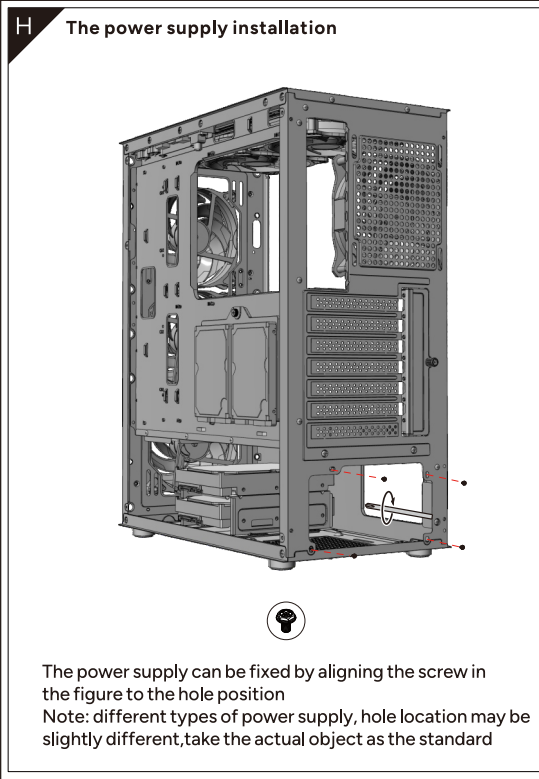
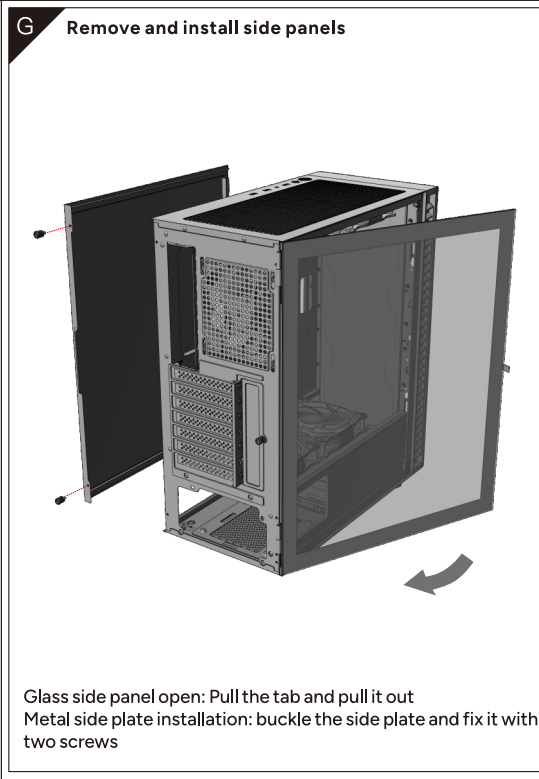
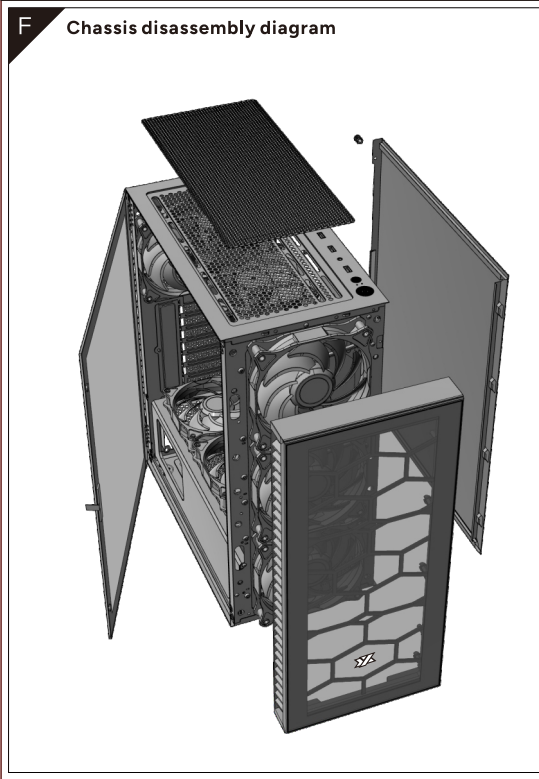
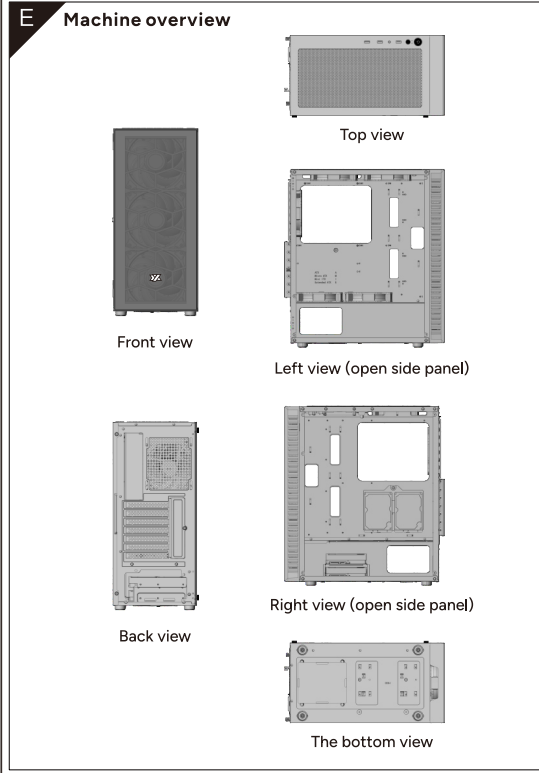
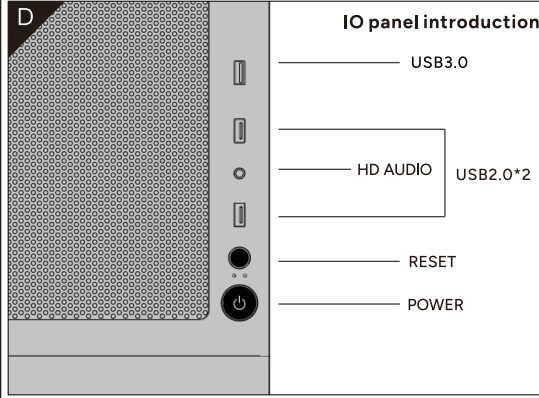
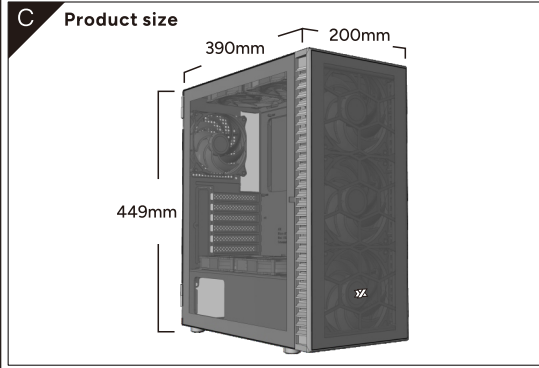
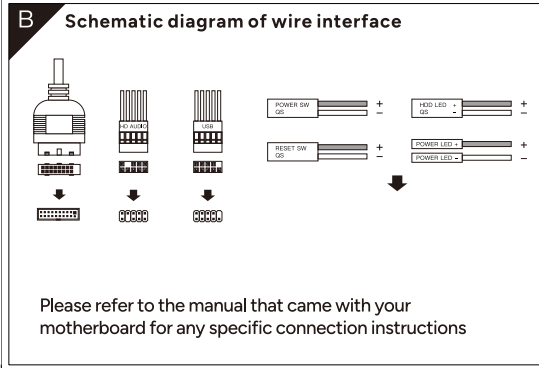


# AIRONE

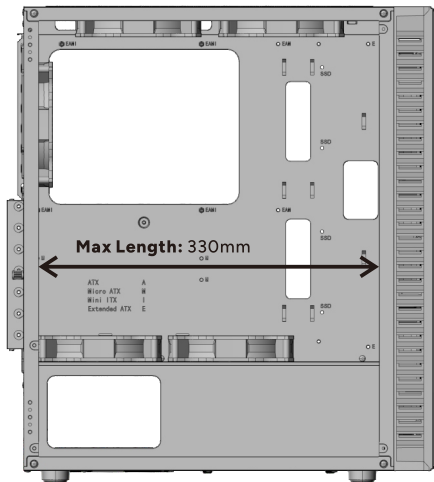
AIRONE 100 GLASS  
Instructions manual

**A Package details**

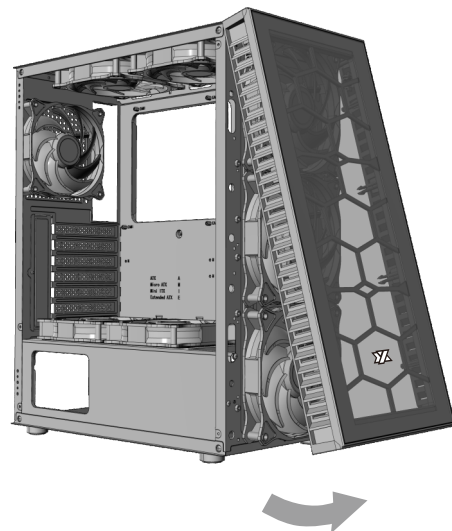
 x14	 x8	 x8
 x2	 x3	



### J The graphics card installation

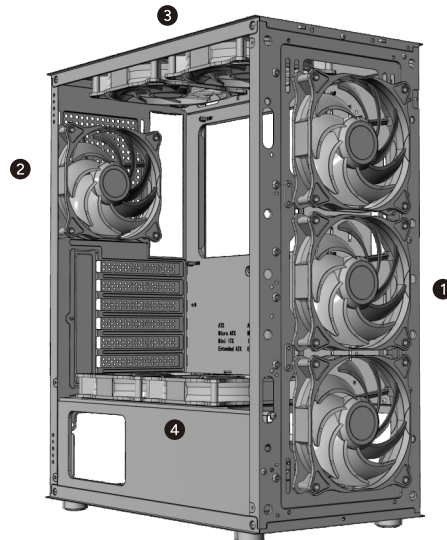


### K Panel disassembly



To remove the front panel of the case, pull it by hand, firmly from the bottom of the panel

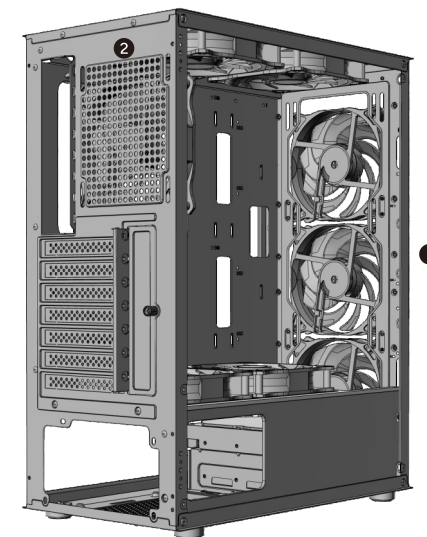
### L Fan installation



**Fan compatibility**

- ① Front: 3 x 120/140mm
- ② Rear: 1 x 120mm
- ③ Top: 2 x 120mm/2 x 140mm
- ④ Bottom: 2 x 120mm

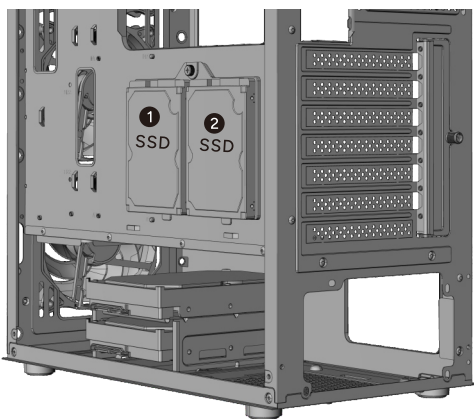
### M Water cooling installation



**Radiator Support**

- ① Front: 240/280/360mm
- ② Rear: 120mm

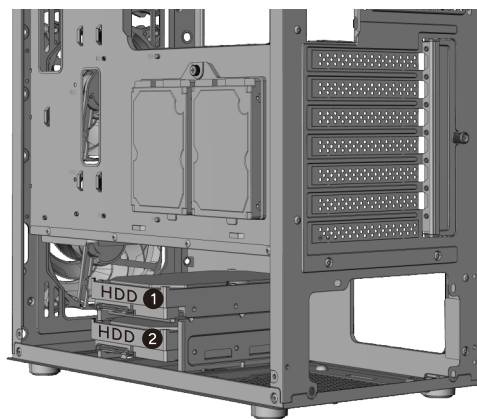
### N SSD installation



2\*SSD

First fix the hole position with the hard disk cushioning pad, then fix it with SSDscrews.

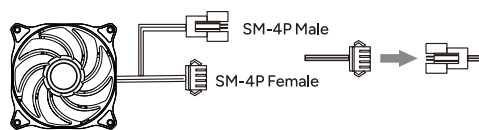
### O HDD installation



2\*HDD

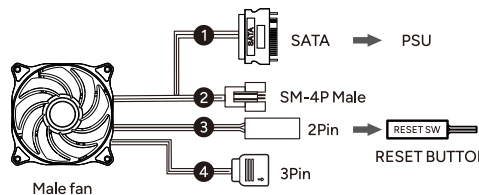
- ① Remove the hard disk rack and secure the hard disk with screws.
- ② Lock the two slide rail screws on the left side of the HDD, slide them into the hard disk rack, and secure the right side of the hard disk with screws.

### P Fan interface



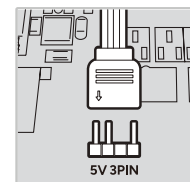
Auxiliary fan(3Pcs)

SM-4P Female connect with SM-4P Male, after connecting of all the Femal+Male until Main fan's Male.



Male fan

- ④ 3 Pin Female connect to Motherboard's 5V 3Pin male



Find out more about us at [www.xyzpcgear.com](http://www.xyzpcgear.com)